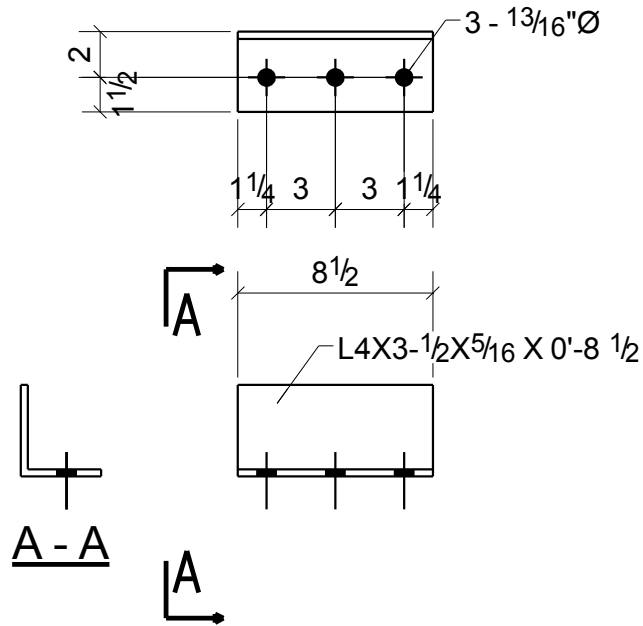


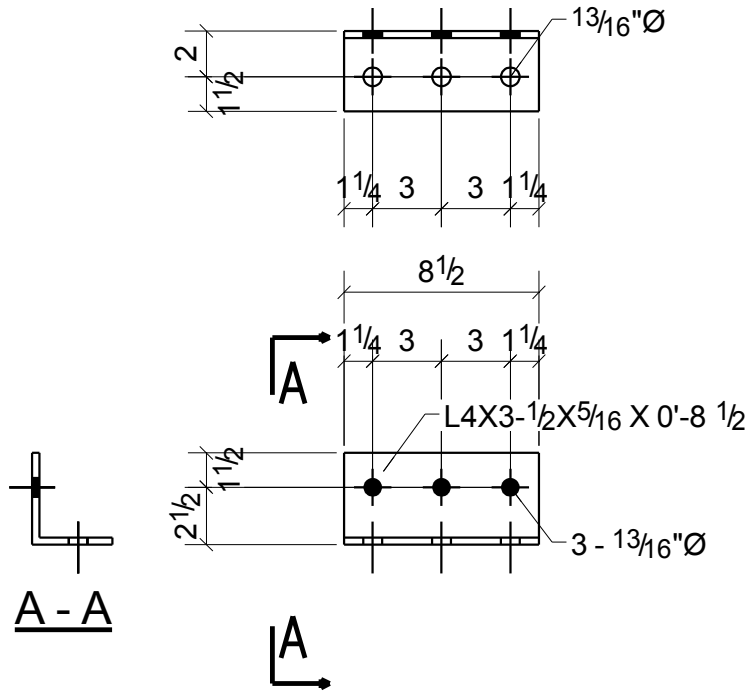
REV	DATE	REMARKS
0	10/29/13	ISSUED FOR FABRICATION



4	B229
4	B306
Qty.	In Assembly

a1	8	L4X3-1/2X5/16	0'-8 1/2"	A36
PART MARK	QTY	DESCRIPTION	LENGTH	REMARKS
DWG BY: MWS		JOB: TRAILS - 620 MEDICAL SHELL		CONTRACT NO 5465
DATE: 10/31/2013				
CHK BY: HPS		TITLE: PARTS		PART MARK [a.1]
DATE: 10/29/13		CONTRACTOR: STRUCTURA INC.		REV. 0

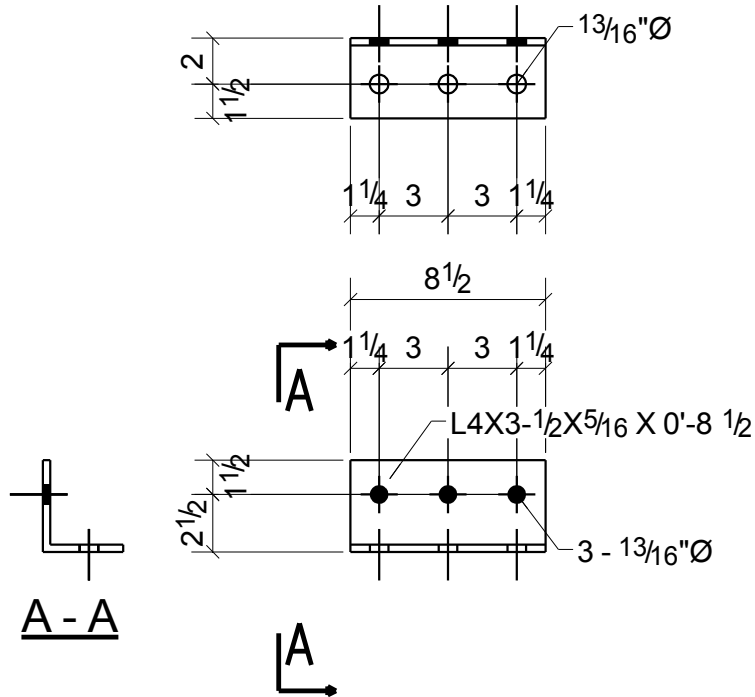
REV	DATE	REMARKS
0	10/29/13	ISSUED FOR FABRICATION



2	B202
2	B206
2	B214
2	B215
8	B233
2	B234
2	B241
3	B245
8	B246
8	B248
8	B249
8	B255
2	B256
4	B294
2	B304
1	B315
Qty.	In Assembly

a3	64	L4X3-1/2X5/16	0'-8 1/2"	A36
PART MARK	QTY	DESCRIPTION	LENGTH	REMARKS
DWG BY: MWS		JOB: TRAILS - 620 MEDICAL SHELL		CONTRACT NO
DATE: 10/31/2013				5465
CHK BY: HPS		TITLE: PARTS		PART MARK [a.3]
DATE: 10/29/13		CONTRACTOR: STRUCTURA INC.		REV. 0

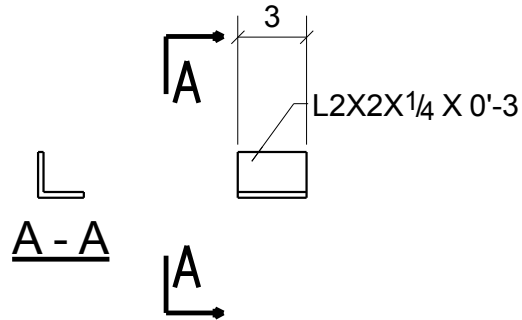
REV	DATE	REMARKS
0	10/29/13	ISSUED FOR FABRICATION



4	B204
2	B214
2	B215
2	B230
2	B234
2	B243
1	B245
4	B257
8	B258
8	B262
8	B293
4	B295
2	B296
6	B304
4	B308
8	B309
3	B315
4	B331
2	B387
2	B388
2	B391
2	B392
Qty.	In Assembly

a4	82	L4X3-1/2X5/16	0'-8 1/2"	A36
PART MARK	QTY	DESCRIPTION	LENGTH	REMARKS
DWG BY: MWS		JOB: TRAILS - 620 MEDICAL SHELL		CONTRACT NO 5465
DATE: 10/31/2013				
CHK BY: HPS		TITLE: PARTS		PART MARK [a.4]
DATE: 10/29/13		CONTRACTOR: STRUCTURA INC.		REV. 0

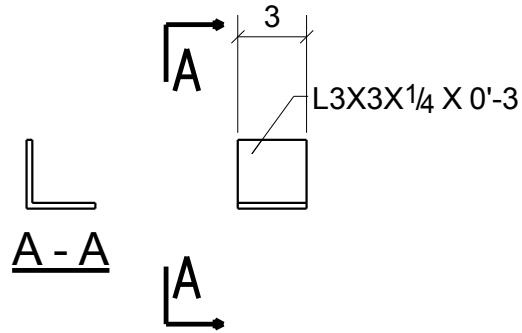
REV	DATE	REMARKS
0	10/29/13	ISSUED FOR FABRICATION



4	M604
4	M605
4	M608
4	M609
4	M610
3	M611
3	M612
4	M613
4	M614
3	M615
3	M616
4	M617
Qty.	In Assembly

a5	44	L2X2X1/4	0'-3"	A36
PART MARK	QTY	DESCRIPTION	LENGTH	REMARKS
DWG BY: MWS		JOB: TRAILS - 620 MEDICAL SHELL		CONTRACT NO 5465
DATE: 10/31/2013				
CHK BY: HPS		TITLE: PARTS		PART MARK [a.5]
DATE: 10/29/13		CONTRACTOR: STRUCTURA INC.		REV. 0

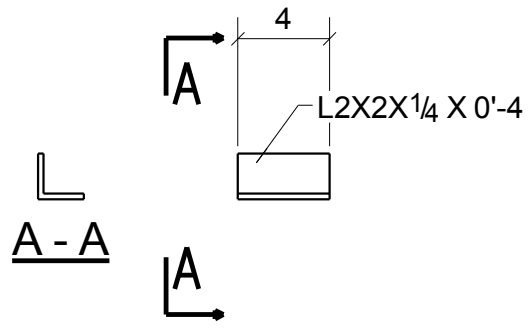
REV	DATE	REMARKS
0	10/29/13	ISSUED FOR FABRICATION



4	C101
4	C102
4	C103
4	C104
4	C105
4	C106
4	C132
8	C133
4	C134
4	C135
4	C136
4	C137
8	C138
4	C139
4	C140
4	C141
Qty.	In Assembly

PART MARK	QTY	DESCRIPTION	LENGTH	REMARKS
a6	72	L3X3X1/4	0'-3"	A36
DWG BY: MWS		JOB: TRAILS - 620 MEDICAL SHELL		CONTRACT NO 5465
DATE: 10/31/2013				
CHK BY: HPS		TITLE: PARTS		PART MARK [a.6] REV. 0
DATE: 10/29/13		CONTRACTOR: STRUCTURA INC.		

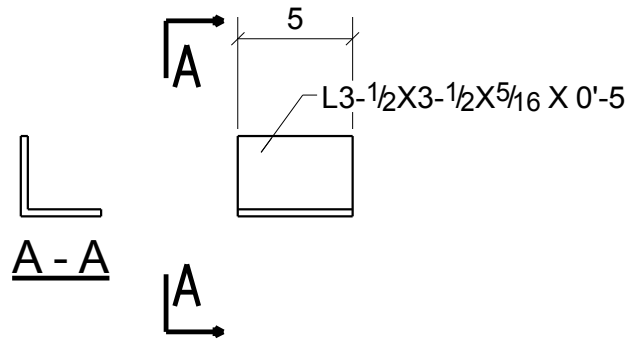
REV	DATE	REMARKS
0	10/29/13	ISSUED FOR FABRICATION



1	B216
4	B222
8	B232
2	B298
4	B347
4	B348
4	B349
4	B350
4	B352
Qty.	In Assembly

a7	35	L2X2X1/4	0'-4"	A36
PART MARK	QTY	DESCRIPTION	LENGTH	REMARKS
DWG BY: MWS		JOB: TRAILS - 620 MEDICAL SHELL		CONTRACT NO 5465
DATE: 10/31/2013				
CHK BY: HPS		TITLE: PARTS		PART MARK [a.7]
DATE: 10/29/13		CONTRACTOR: STRUCTURA INC.		REV. 0

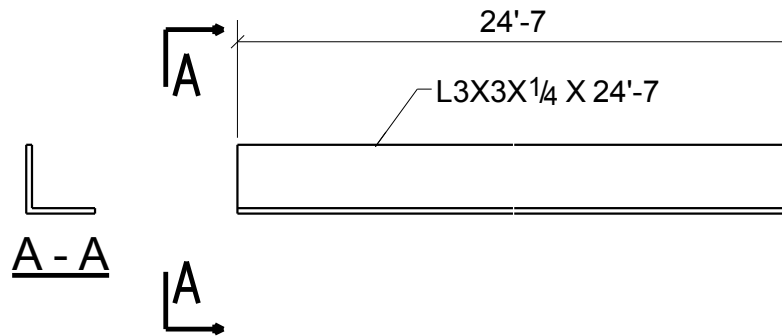
REV	DATE	REMARKS
0	10/29/13	ISSUED FOR FABRICATION



2	C117
2	PG14
4	PG28
Qty.	In Assembly

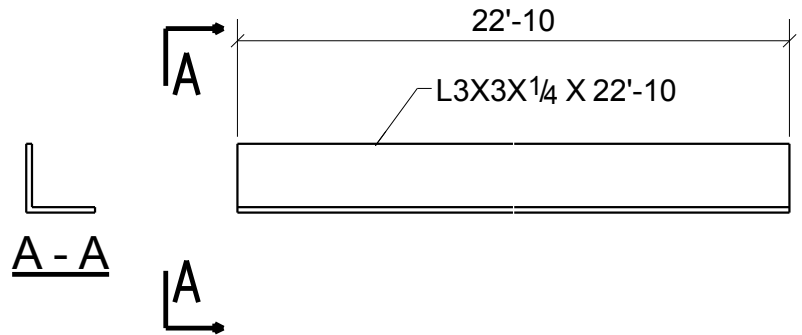
a8	8	L3-1/2X3-1/2X5/16	0'-5"	A36
PART MARK	QTY	DESCRIPTION	LENGTH	REMARKS
DWG BY: MWS		JOB: TRAILS - 620 MEDICAL SHELL		CONTRACT NO 5465
DATE: 10/31/2013				
CHK BY: HPS		TITLE: PARTS		PART MARK [a.8]
DATE: 10/29/13		CONTRACTOR: STRUCTURA INC.		REV. 0

REV	DATE	REMARKS
0	10/29/13	ISSUED FOR FABRICATION



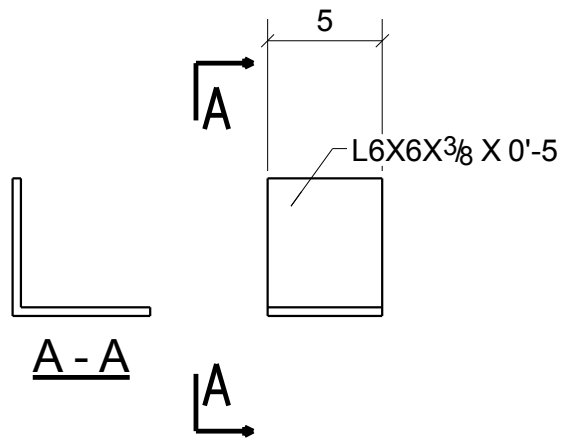
a12	1	L3X3X1/4	24'-7"	A36
PART MARK	QTY	DESCRIPTION	LENGTH	REMARKS
DWG BY: MWS		JOB: TRAILS - 620 MEDICAL SHELL		CONTRACT NO 5465
DATE: 10/31/2013				
CHK BY: HPS		TITLE: PARTS		PART MARK [a.12]
DATE: 10/29/13		CONTRACTOR: STRUCTURA INC.		REV. 0

REV	DATE	REMARKS
0	10/29/13	ISSUED FOR FABRICATION



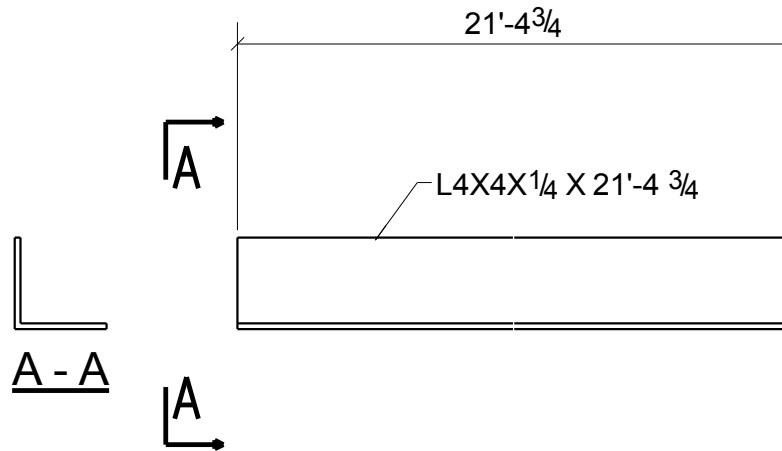
a14	1	L3X3X1/4	22'-10"	A36	1	B254
PART MARK	QTY	DESCRIPTION	LENGTH	REMARKS	Qty.	In Assembly
DWG BY: MWS		JOB: TRAILS - 620 MEDICAL SHELL		CONTRACT NO	5465	
DATE: 10/31/2013				PART MARK	[a.14]	REV. 0
CHK BY: HPS		TITLE: PARTS				
DATE: 10/29/13		CONTRACTOR: STRUCTURA INC.				

REV	DATE	REMARKS
0	10/29/13	ISSUED FOR FABRICATION



a17	1	L6X6X3/8	0'-5"	1	C111
PART MARK	QTY	DESCRIPTION	LENGTH	Qty.	In Assembly
DWG BY: MWS	MWS	JOB: TRAILS - 620 MEDICAL SHELL		A36	
DATE: 10/31/2013				CONTRACT NO	5465
CHK BY: HPS	HPS	TITLE: PARTS		PART MARK	[a.17]
DATE: 10/29/13		CONTRACTOR: STRUCTURA INC.		REV.	0

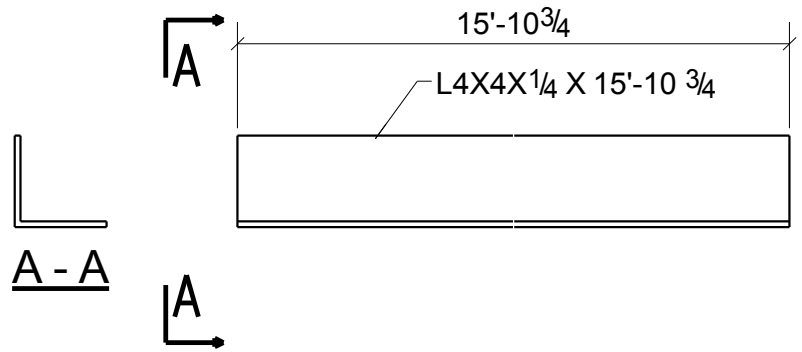
REV	DATE	REMARKS
0	10/29/13	ISSUED FOR FABRICATION



1	M610
1	M614
Qty.	In Assembly

a18	2	L4X4X1/4	21'-4 3/4"	A36
PART MARK	QTY	DESCRIPTION	LENGTH	REMARKS
DWG BY: MWS		JOB: TRAILS - 620 MEDICAL SHELL		CONTRACT NO 5465
DATE: 10/31/2013				
CHK BY: HPS		TITLE: PARTS		PART MARK [a.18]
DATE: 10/29/13		CONTRACTOR: STRUCTURA INC.		REV. 0

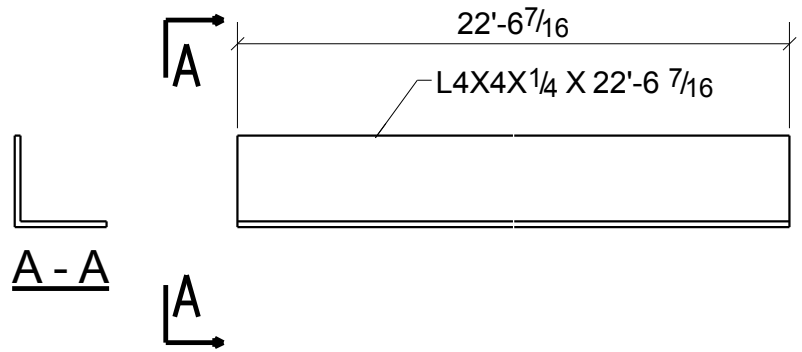
REV	DATE	REMARKS
0	10/29/13	ISSUED FOR FABRICATION



a19	2	L4X4X1/4	15'-10 3/4"	A36
PART MARK	QTY	DESCRIPTION	LENGTH	REMARKS
DWG BY: MWS		JOB: TRAILS - 620 MEDICAL SHELL		CONTRACT NO 5465
DATE: 10/31/2013				
CHK BY: HPS		TITLE: PARTS		PART MARK [a.19]
DATE: 10/29/13		CONTRACTOR: STRUCTURA INC.		REV. 0

1	M611
1	M615
Qty.	In Assembly

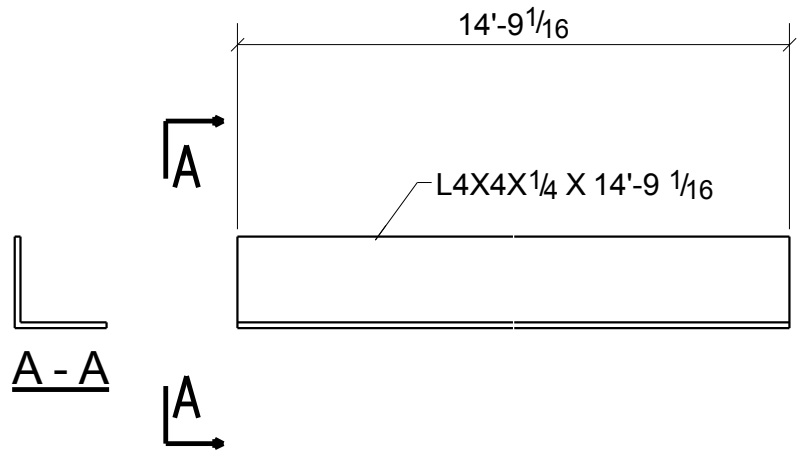
REV	DATE	REMARKS
0	10/29/13	ISSUED FOR FABRICATION



1	M613
1	M617
Qty.	In Assembly

a20	2	L4X4X1/4	22'-6 7/16"	A36
PART MARK	QTY	DESCRIPTION	LENGTH	REMARKS
DWG BY: MWS		JOB: TRAILS - 620 MEDICAL SHELL		CONTRACT NO 5465
DATE: 10/31/2013				
CHK BY: HPS		TITLE: PARTS		PART MARK [a.20]
DATE: 10/29/13		CONTRACTOR: STRUCTURA INC.		REV. 0

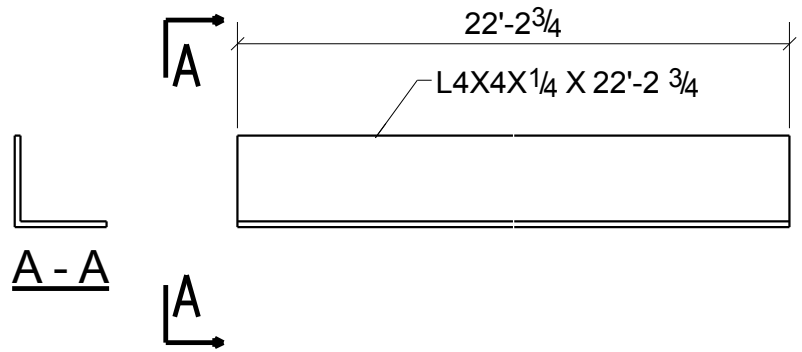
REV	DATE	REMARKS
0	10/29/13	ISSUED FOR FABRICATION



1	M612
1	M616
Qty.	In Assembly

a21	2	L4X4X1/4	14'-9 1/16"	A36
PART MARK	QTY	DESCRIPTION	LENGTH	REMARKS
DWG BY: MWS		JOB: TRAILS - 620 MEDICAL SHELL		CONTRACT NO 5465
DATE: 10/31/2013				
CHK BY: HPS		TITLE: PARTS		PART MARK [a.21]
DATE: 10/29/13		CONTRACTOR: STRUCTURA INC.		REV. 0

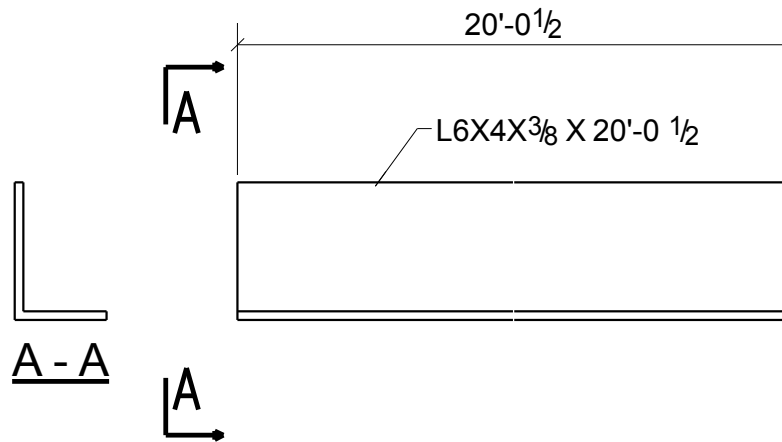
REV	DATE	REMARKS
0	10/29/13	ISSUED FOR FABRICATION



1	M604
1	M605
1	M608
1	M609
Qty.	In Assembly

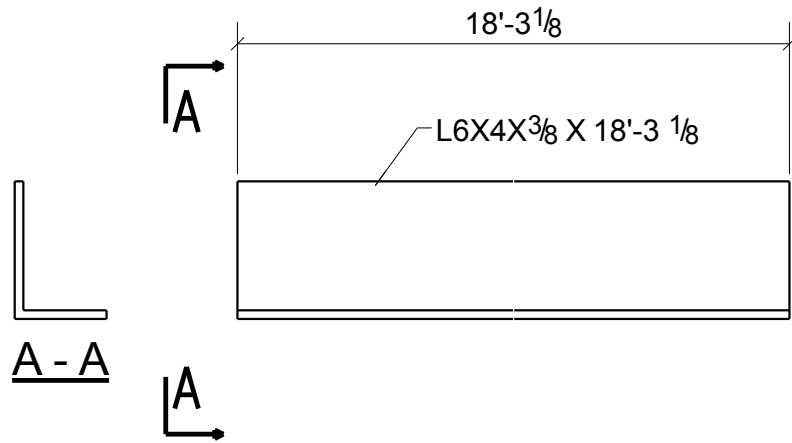
a22	4	L4X4X1/4	22'-2 3/4"	A36
PART MARK	QTY	DESCRIPTION	LENGTH	REMARKS
DWG BY: MWS		JOB: TRAILS - 620 MEDICAL SHELL		CONTRACT NO 5465
DATE: 10/31/2013				
CHK BY: HPS		TITLE: PARTS		PART MARK [a.22]
DATE: 10/29/13		CONTRACTOR: STRUCTURA INC.		REV. 0

REV	DATE	REMARKS
0	10/29/13	ISSUED FOR FABRICATION



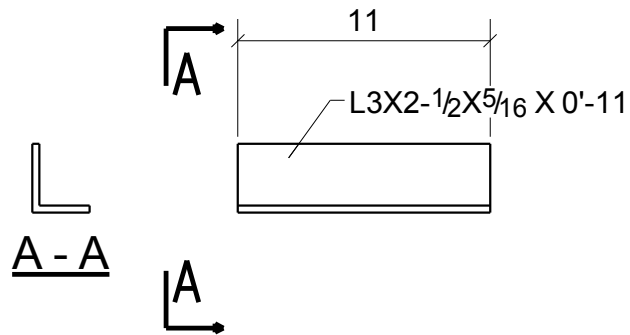
a23	1	L6X4X3/8	20'-0 1/2"	A36	1	B287
PART MARK	QTY	DESCRIPTION	LENGTH	REMARKS	Qty.	In Assembly
DWG BY: MWS	MWS	JOB: TRAILS - 620 MEDICAL SHELL		CONTRACT NO	5465	
DATE: 10/31/2013						
CHK BY: HPS	HPS	TITLE: PARTS		PART MARK	[a.23]	REV.
DATE: 10/29/13		CONTRACTOR: STRUCTURA INC.				0

REV	DATE	REMARKS
0	10/29/13	ISSUED FOR FABRICATION



				1	B209
				Qty.	In Assembly
a24	1	L6X4X3/8	18'-3 1/8"	A36	
PART MARK	QTY	DESCRIPTION	LENGTH	REMARKS	
DWG BY: MWS		JOB: TRAILS - 620 MEDICAL SHELL		CONTRACT NO	5465
DATE: 10/31/2013					
CHK BY: HPS		TITLE: PARTS		PART MARK	[a.24]
DATE: 10/29/13		CONTRACTOR: STRUCTURA INC.		REV.	0

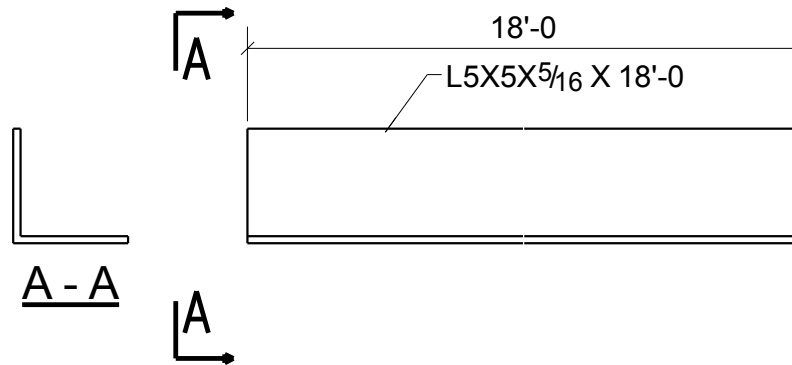
REV	DATE	REMARKS
0	10/29/13	ISSUED FOR FABRICATION



2	B213
2	B355
Qty.	In Assembly

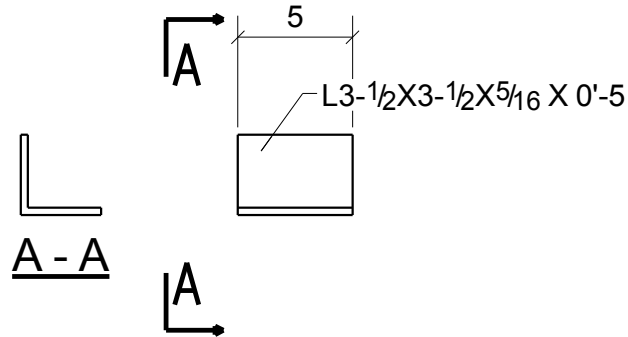
a29	4	L3X2-1/2X5/16	0'-11"	A36
PART MARK	QTY	DESCRIPTION	LENGTH	REMARKS
DWG BY: MWS		JOB: TRAILS - 620 MEDICAL SHELL		CONTRACT NO 5465
DATE: 10/31/2013				
CHK BY: HPS		TITLE: PARTS		PART MARK [a.29]
DATE: 10/29/13		CONTRACTOR: STRUCTURA INC.		REV. 0

REV	DATE	REMARKS
0	10/29/13	ISSUED FOR FABRICATION



a30	1	L5X5X5/16	18'-0"	A36	1	M606
PART MARK	QTY	DESCRIPTION	LENGTH	REMARKS	Qty.	In Assembly
DWG BY: MWS		JOB: TRAILS - 620 MEDICAL SHELL		CONTRACT NO	5465	
DATE: 10/31/2013				PART MARK	[a.30]	REV. 0
CHK BY: HPS		TITLE: PARTS				
DATE: 10/29/13		CONTRACTOR: STRUCTURA INC.				

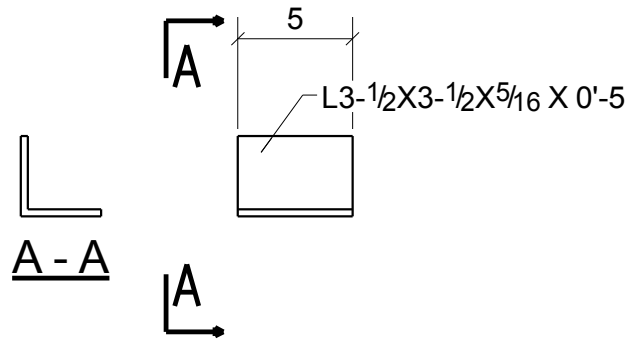
REV	DATE	REMARKS
0	10/29/13	ISSUED FOR FABRICATION



7	C107
7	C108
7	C109
7	C110
8	C122
10	C123
7	C126
9	C127
Qty.	In Assembly

a32	62	L3-1/2X3-1/2X5/16	0'-5"	A36
PART MARK	QTY	DESCRIPTION	LENGTH	REMARKS
DWG BY: MWS		JOB: TRAILS - 620 MEDICAL SHELL		CONTRACT NO 5465
DATE: 10/31/2013				
CHK BY: HPS		TITLE: PARTS		PART MARK [a.32]
DATE: 10/29/13		CONTRACTOR: STRUCTURA INC.		REV. 0

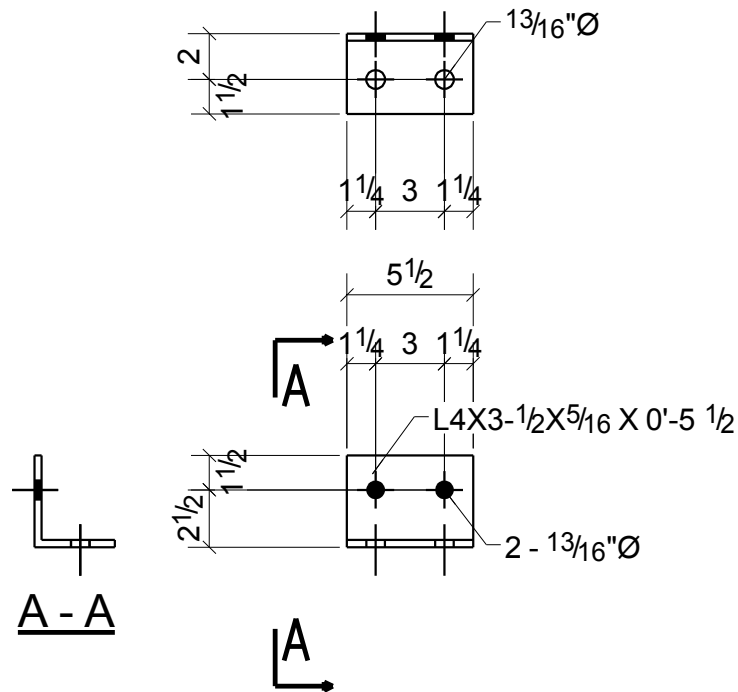
REV	DATE	REMARKS
0	10/29/13	ISSUED FOR FABRICATION



1	C109
1	PG12
Qty.	In Assembly

a36	2	L3-1/2X3-1/2X5/16	0'-5"	A36
PART MARK	QTY	DESCRIPTION	LENGTH	REMARKS
DWG BY: MWS		JOB: TRAILS - 620 MEDICAL SHELL		CONTRACT NO 5465
DATE: 10/31/2013				
CHK BY: HPS		TITLE: PARTS		PART MARK [a.36] REV. 0
DATE: 10/29/13		CONTRACTOR: STRUCTURA INC.		

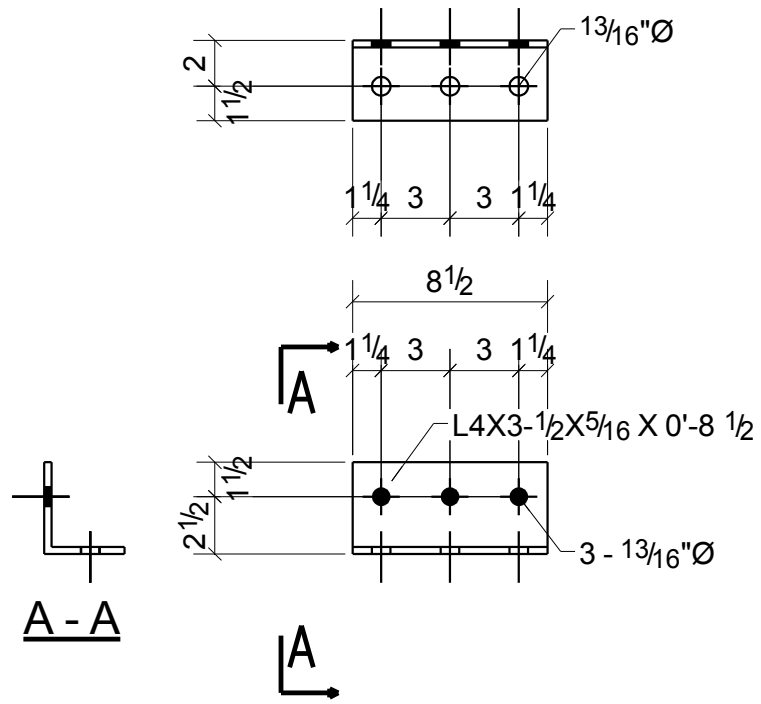
REV	DATE	REMARKS
0	10/29/13	ISSUED FOR FABRICATION



2	B230
2	B253
2	B296
4	B325
2	B389
2	B393
Qty.	In Assembly

a39	14	L4X3-1/2X5/16	0'-5 1/2"	A36
PART MARK	QTY	DESCRIPTION	LENGTH	REMARKS
DWG BY: MWS		JOB: TRAILS - 620 MEDICAL SHELL		CONTRACT NO 5465
DATE: 10/31/2013				
CHK BY: HPS		TITLE: PARTS		PART MARK [a.39]
DATE: 10/29/13		CONTRACTOR: STRUCTURA INC.		REV. 0

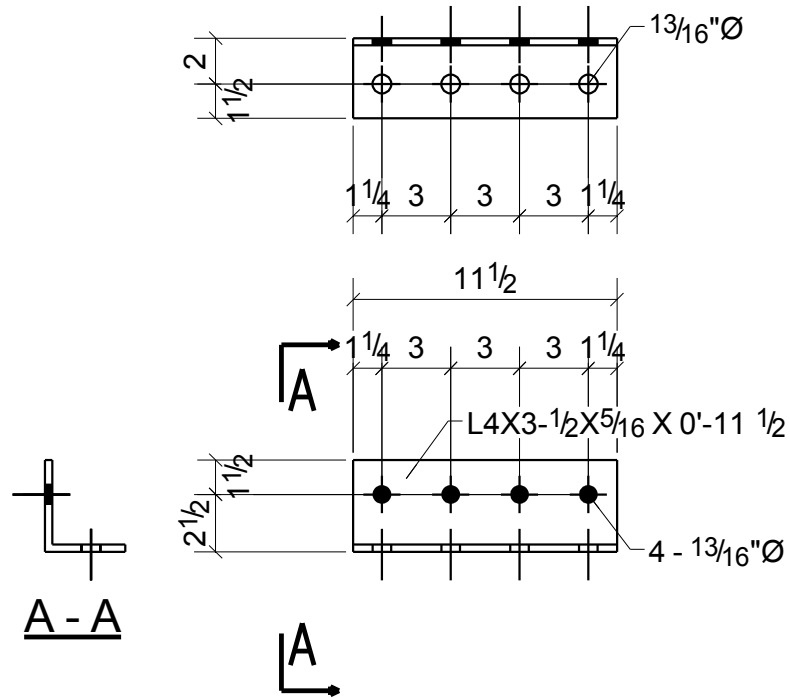
REV	DATE	REMARKS
0	10/29/13	ISSUED FOR FABRICATION



4	B204
2	B387
2	B389
2	B391
2	B393
Qty.	In Assembly

a40	12	L4X3-1/2X5/16	0'-8 1/2"	A36
PART MARK	QTY	DESCRIPTION	LENGTH	REMARKS
DWG BY: MWS	DATE: 10/31/2013	JOB: TRAILS - 620 MEDICAL SHELL		CONTRACT NO 5465
CHK BY: HPS	DATE: 10/29/13	TITLE: PARTS	CONTRACTOR: STRUCTURA INC.	PART MARK [a.40] REV. 0

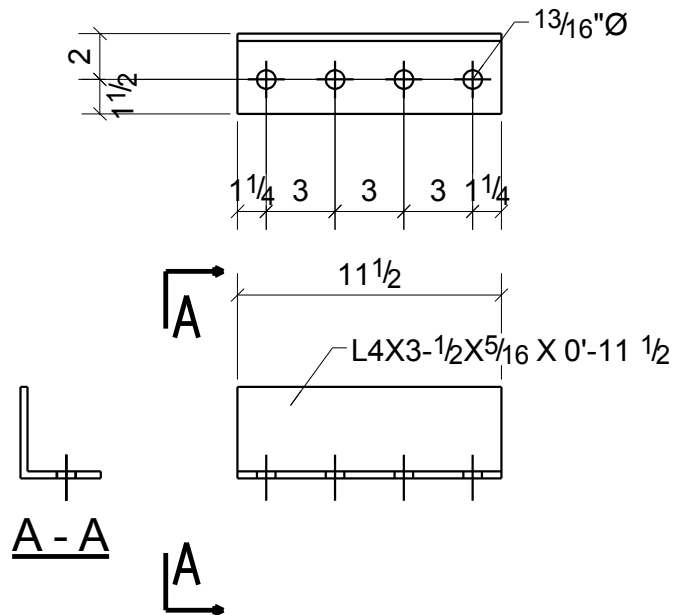
REV	DATE	REMARKS
0	10/29/13	ISSUED FOR FABRICATION



2	B202
2	B206
Qty.	In Assembly

a42	4	L4X3-1/2X5/16	0'-11 1/2"	A36
PART MARK	QTY	DESCRIPTION	LENGTH	REMARKS
DWG BY: MWS	DATE: 10/31/2013	JOB: TRAILS - 620 MEDICAL SHELL		CONTRACT NO 5465
CHK BY: HPS	DATE: 10/29/13	TITLE: PARTS	CONTRACTOR: STRUCTURA INC.	PART MARK [a.42]
				REV. 0

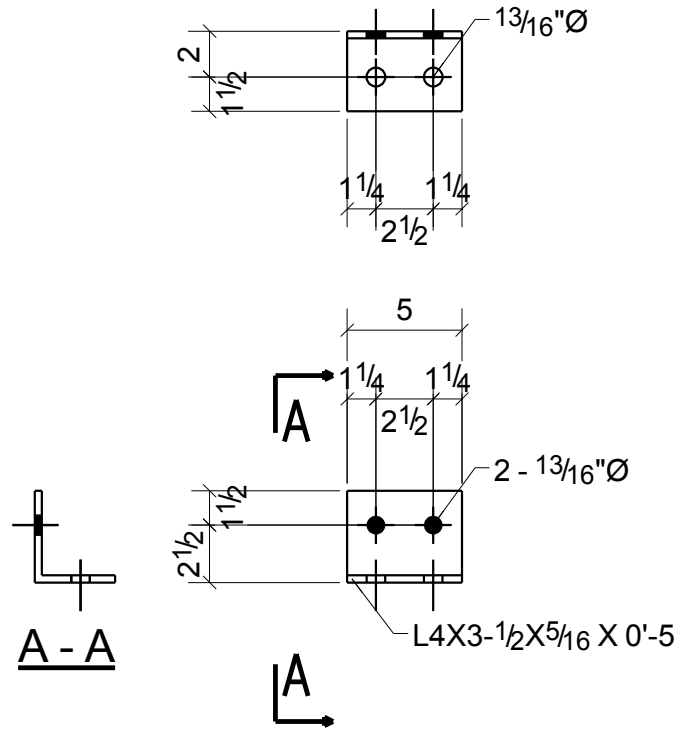
REV	DATE	REMARKS
0	10/29/13	ISSUED FOR FABRICATION



PART MARK	QTY	DESCRIPTION	LENGTH	REMARKS
a43	1	L4X3-1/2X5/16	0'-11 1/2"	A36
DWG BY: MWS	DATE: 10/31/2013	JOB: TRAILS - 620 MEDICAL SHELL		CONTRACT NO 5465
CHK BY: HPS	DATE: 10/29/13	TITLE: PARTS	CONTRACTOR: STRUCTURA INC.	PART MARK [a.43] REV. 0

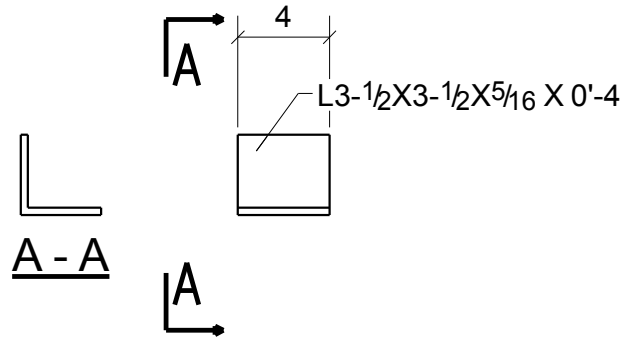
1	B225
Qty.	In Assembly

REV	DATE	REMARKS
0	10/29/13	ISSUED FOR FABRICATION



a44	2	L4X3-1/2X5/16	0'-5"	2	B252
PART MARK	QTY	DESCRIPTION	LENGTH	Qty.	In Assembly
DWG BY: MWS	JOB: TRAILS - 620 MEDICAL SHELL			CONTRACT NO	5465
DATE: 10/31/2013					
CHK BY: HPS	TITLE: PARTS			PART MARK	[a.44]
DATE: 10/29/13	CONTRACTOR: STRUCTURA INC.			REV.	0

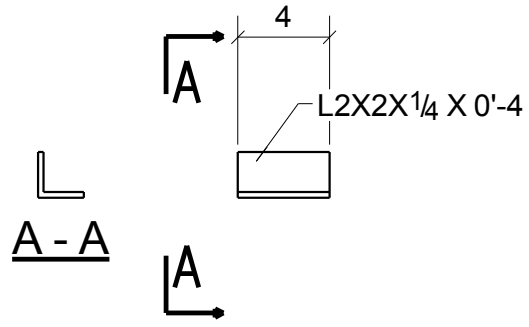
REV	DATE	REMARKS
0	10/29/13	ISSUED FOR FABRICATION



2	C107
2	C108
2	C109
2	C110
2	C122
2	C123
2	C126
2	C127
Qty.	In Assembly

a45	16	L3-1/2X3-1/2X5/16	0'-4"	A36
PART MARK	QTY	DESCRIPTION	LENGTH	REMARKS
DWG BY: MWS		JOB: TRAILS - 620 MEDICAL SHELL		CONTRACT NO 5465
DATE: 10/31/2013				
CHK BY: HPS		TITLE: PARTS		PART MARK [a.45] REV. 0
DATE: 10/29/13		CONTRACTOR: STRUCTURA INC.		

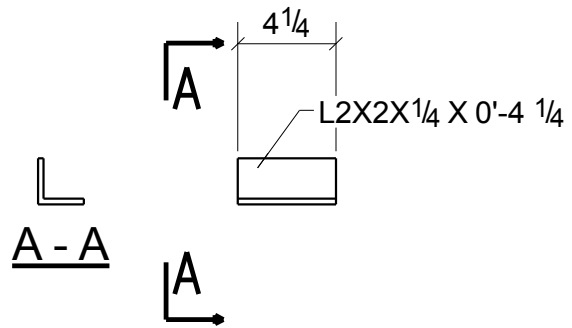
REV	DATE	REMARKS
0	10/29/13	ISSUED FOR FABRICATION



5	B221
1	B244
5	B290
5	B291
6	B303
9	B328
Qty.	In Assembly

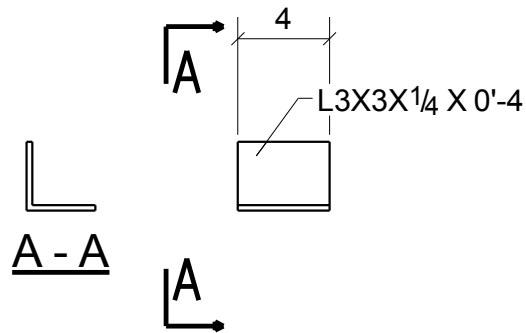
a46	31	L2X2X1/4	0'-4"	A36
PART MARK	QTY	DESCRIPTION	LENGTH	REMARKS
DWG BY: MWS	DATE: 10/31/2013	JOB: TRAILS - 620 MEDICAL SHELL		CONTRACT NO 5465
CHK BY: HPS	DATE: 10/29/13	TITLE: PARTS		PART MARK [a.46] REV. 0
		CONTRACTOR: STRUCTURA INC.		

REV	DATE	REMARKS
0	10/29/13	ISSUED FOR FABRICATION



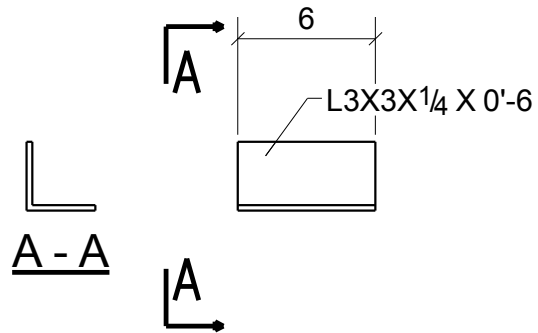
a47	5	L2X2X1/4	0'-4 1/4"	A36	5 Qty.	B221 In Assembly
PART MARK	QTY	DESCRIPTION	LENGTH	REMARKS		
DWG BY: MWS		JOB: TRAILS - 620 MEDICAL SHELL		CONTRACT NO	5465	
DATE: 10/31/2013				PART MARK	[a.47]	REV. 0
CHK BY: HPS		TITLE: PARTS				
DATE: 10/29/13		CONTRACTOR: STRUCTURA INC.				

REV	DATE	REMARKS
0	10/29/13	ISSUED FOR FABRICATION



a48	3	L3X3X1/4	0'-4"	A36	3 Qty.	B331 In Assembly
PART MARK	QTY	DESCRIPTION	LENGTH	REMARKS		
DWG BY: MWS		JOB: TRAILS - 620 MEDICAL SHELL		CONTRACT NO	5465	
DATE: 10/31/2013						
CHK BY: HPS		TITLE: PARTS		PART MARK	[a.48]	REV.
DATE: 10/29/13		CONTRACTOR: STRUCTURA INC.				0

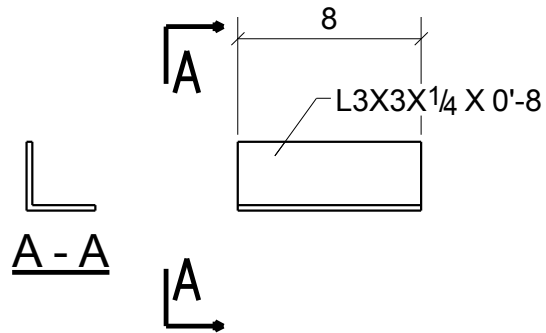
REV	DATE	REMARKS
0	10/29/13	ISSUED FOR FABRICATION



PART MARK	QTY	DESCRIPTION	LENGTH	REMARKS
a49	1	L3X3X1/4	0'-6"	A36
DWG BY: MWS DATE: 10/31/2013				CONTRACT NO <b>5465</b>
CHK BY: HPS DATE: 10/29/13				PART MARK [a.49]      REV. <b>0</b>
		JOB: TRAILS - 620 MEDICAL SHELL		
		TITLE: PARTS		
		CONTRACTOR: STRUCTURA INC.		

1	C115
Qty.	In Assembly

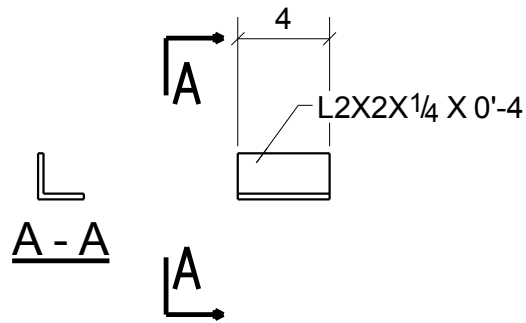
REV	DATE	REMARKS
0	10/29/13	ISSUED FOR FABRICATION



1	B238
2	B339
2	B344
4	B345
Qty.	In Assembly

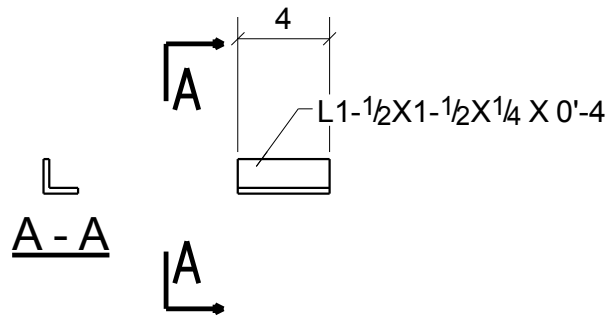
a50	9	L3X3X1/4	0'-8"	A36
PART MARK	QTY	DESCRIPTION	LENGTH	REMARKS
DWG BY: MWS		JOB: TRAILS - 620 MEDICAL SHELL		CONTRACT NO 5465
DATE: 10/31/2013				
CHK BY: HPS		TITLE: PARTS		PART MARK [a.50]
DATE: 10/29/13		CONTRACTOR: STRUCTURA INC.		REV. 0

REV	DATE	REMARKS
0	10/29/13	ISSUED FOR FABRICATION



a52	1	L2X2X1/4	0'-4"	A36	1	C701
PART MARK	QTY	DESCRIPTION	LENGTH	REMARKS	Qty.	In Assembly
DWG BY: MWS	MWS	JOB: TRAILS - 620 MEDICAL SHELL		CONTRACT NO	5465	
DATE: 10/31/2013						
CHK BY: HPS	HPS	TITLE: PARTS		PART MARK	[a.52]	REV.
DATE: 10/29/13		CONTRACTOR: STRUCTURA INC.				0

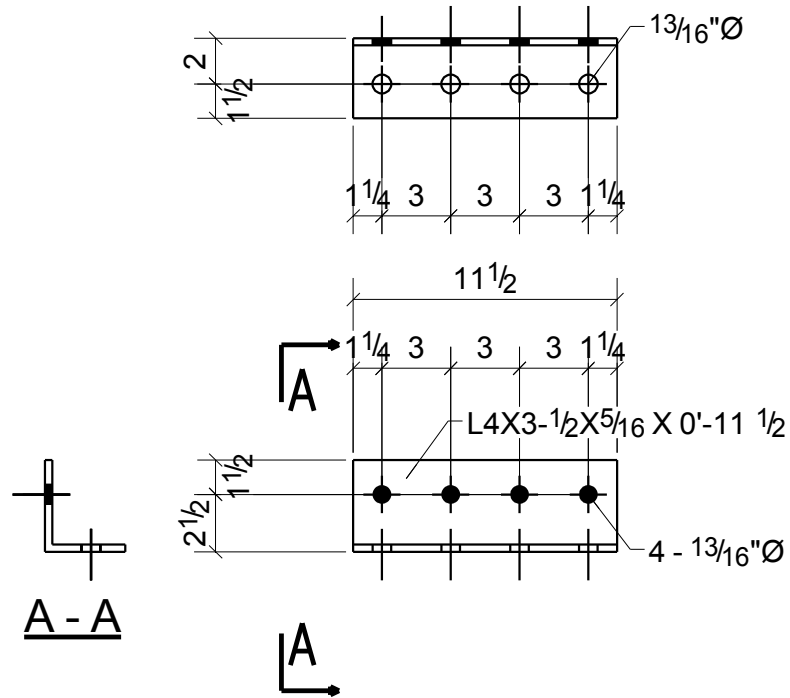
REV	DATE	REMARKS
0	10/29/13	ISSUED FOR FABRICATION



4	B314
4	B334
8	B353
Qty.	In Assembly

a54	16	L1-1/2X1-1/2X1/4	0'-4"	A36
PART MARK	QTY	DESCRIPTION	LENGTH	REMARKS
DWG BY: MWS		JOB: TRAILS - 620 MEDICAL SHELL		CONTRACT NO 5465
DATE: 10/31/2013				
CHK BY: HPS		TITLE: PARTS		PART MARK [a.54]
DATE: 10/29/13		CONTRACTOR: STRUCTURA INC.		REV. 0

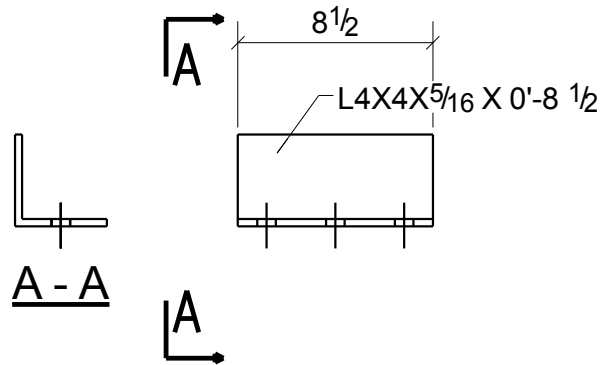
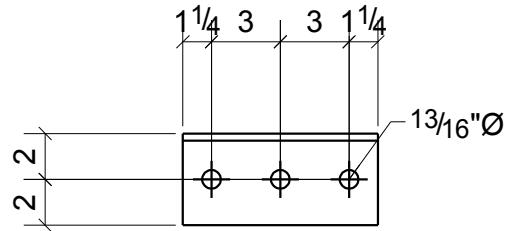
REV	DATE	REMARKS
0	10/29/13	ISSUED FOR FABRICATION



4	B325
2	B388
2	B392
Qty.	In Assembly

a56	8	L4X3-1/2X5/16	0'-11 1/2"	A36
PART MARK	QTY	DESCRIPTION	LENGTH	REMARKS
DWG BY: MWS		JOB: TRAILS - 620 MEDICAL SHELL		CONTRACT NO 5465
DATE: 10/31/2013				
CHK BY: HPS		TITLE: PARTS		PART MARK [a.56]
DATE: 10/29/13		CONTRACTOR: STRUCTURA INC.		REV. 0

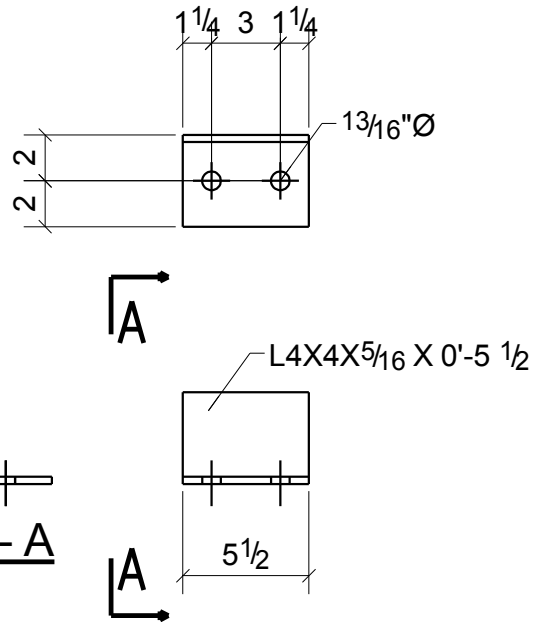
REV	DATE	REMARKS
0	10/29/13	ISSUED FOR FABRICATION



2	B250
2	B254
Qty.	In Assembly

a57	4	L4X4X5/16	0'-8 1/2"	A36
PART MARK	QTY	DESCRIPTION	LENGTH	REMARKS
DWG BY: MWS		JOB: TRAILS - 620 MEDICAL SHELL		CONTRACT NO 5465
DATE: 10/31/2013				
CHK BY: HPS		TITLE: PARTS		PART MARK [a.57]
DATE: 10/29/13		CONTRACTOR: STRUCTURA INC.		REV. 0

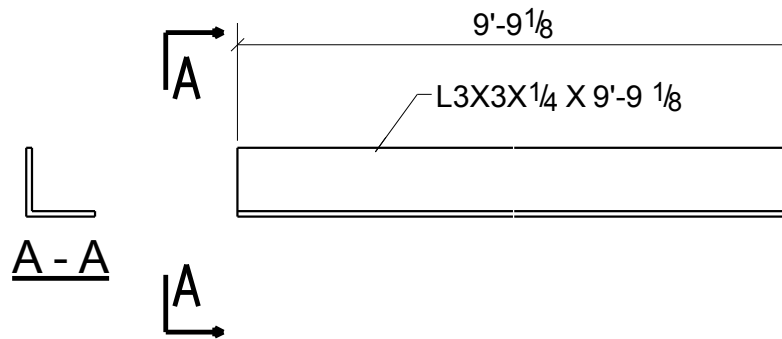
REV	DATE	REMARKS
0	10/29/13	ISSUED FOR FABRICATION



1	B252
1	B253
Qty.	In Assembly

a58	2	L4X4X5/16	0'-5 1/2"	A36
PART MARK	QTY	DESCRIPTION	LENGTH	REMARKS
DWG BY: MWS		JOB: TRAILS - 620 MEDICAL SHELL		CONTRACT NO 5465
DATE: 10/31/2013				
CHK BY: HPS		TITLE: PARTS		PART MARK [a.58]
DATE: 10/29/13		CONTRACTOR: STRUCTURA INC.		REV. 0

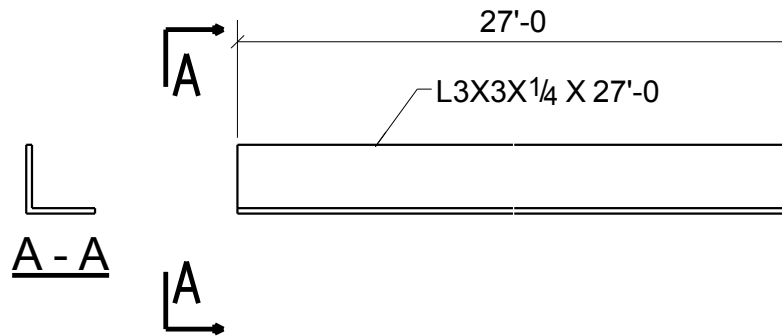
REV	DATE	REMARKS
0	10/29/13	ISSUED FOR FABRICATION



a59	2	L3X3X1/4	9'-9 1/8"	A36
PART MARK	QTY	DESCRIPTION	LENGTH	REMARKS
DWG BY: MWS		JOB: TRAILS - 620 MEDICAL SHELL		CONTRACT NO 5465
DATE: 10/31/2013				
CHK BY: HPS		TITLE: PARTS		PART MARK [a.59]
DATE: 10/29/13		CONTRACTOR: STRUCTURA INC.		REV. 0

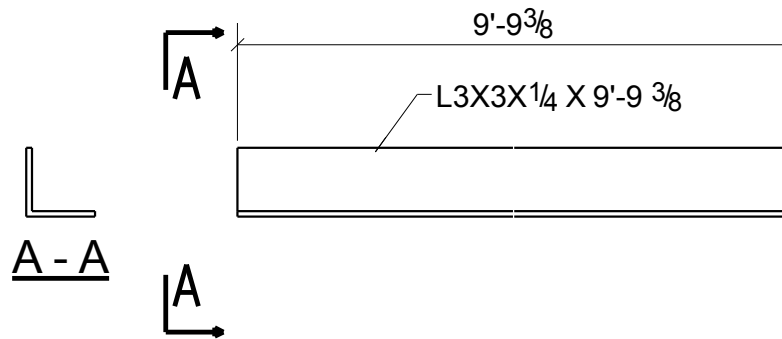
1	B341
1	B342
Qty.	In Assembly

REV	DATE	REMARKS
0	10/29/13	ISSUED FOR FABRICATION



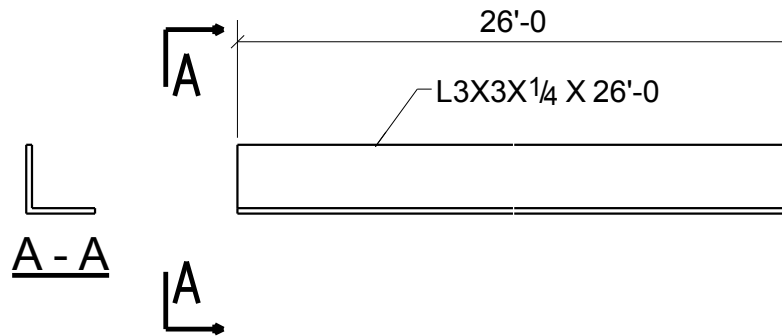
				1	B348
				Qty.	In Assembly
a60	1	L3X3X1/4	27'-0"	A36	
PART MARK	QTY	DESCRIPTION	LENGTH	REMARKS	
DWG BY: MWS		JOB: TRAILS - 620 MEDICAL SHELL		CONTRACT NO	5465
DATE: 10/31/2013					
CHK BY: HPS		TITLE: PARTS		PART MARK [a.60]	REV. 0
DATE: 10/29/13		CONTRACTOR: STRUCTURA INC.			

REV	DATE	REMARKS
0	10/29/13	ISSUED FOR FABRICATION



				1	B321
				1	B322
				Qty.	In Assembly
a61	2	L3X3X1/4	9'-9 3/8"	A36	
PART MARK	QTY	DESCRIPTION	LENGTH	REMARKS	
DWG BY: MWS		JOB: TRAILS - 620 MEDICAL SHELL		CONTRACT NO	5465
DATE: 10/31/2013					
CHK BY: HPS		TITLE: PARTS		PART MARK	[a.61]
DATE: 10/29/13		CONTRACTOR: STRUCTURA INC.		REV.	0

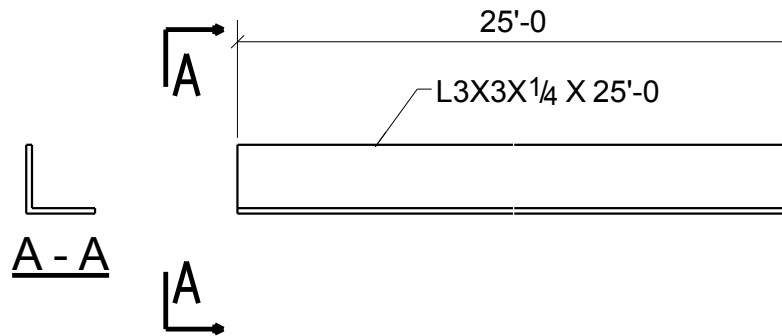
REV	DATE	REMARKS
0	10/29/13	ISSUED FOR FABRICATION



PART MARK	QTY	DESCRIPTION	LENGTH	REMARKS
a62	1	L3X3X1/4	26'-0"	A36
DWG BY: MWS DATE: 10/31/2013				CONTRACT NO <b>5465</b>
CHK BY: HPS DATE: 10/29/13				PART MARK [a.62]      REV. <b>0</b>
		JOB: TRAILS - 620 MEDICAL SHELL		
		TITLE: PARTS		
		CONTRACTOR: STRUCTURA INC.		

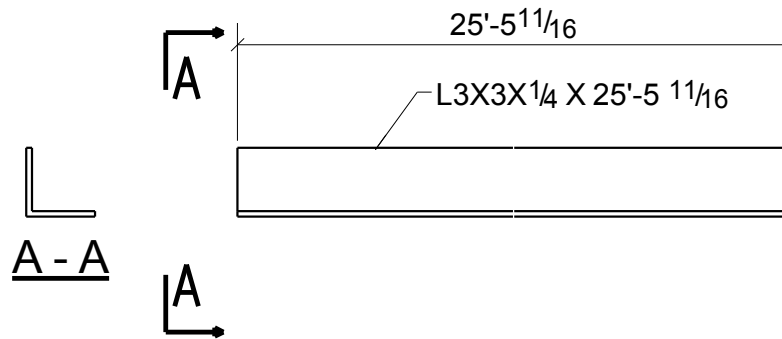
1	B350
Qty.	In Assembly

REV	DATE	REMARKS
0	10/29/13	ISSUED FOR FABRICATION



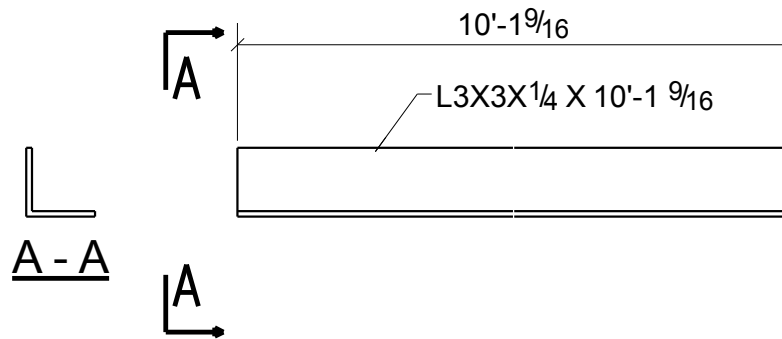
a63	1	L3X3X1/4	25'-0"	A36	1	B349
PART MARK	QTY	DESCRIPTION	LENGTH	REMARKS	Qty.	In Assembly
DWG BY: MWS		JOB: TRAILS - 620 MEDICAL SHELL		CONTRACT NO	5465	
DATE: 10/31/2013				PART MARK	[a.63]	REV. 0
CHK BY: HPS		TITLE: PARTS				
DATE: 10/29/13		CONTRACTOR: STRUCTURA INC.				

REV	DATE	REMARKS
0	10/29/13	ISSUED FOR FABRICATION



a64	1	L3X3X1/4	25'-5 11/16	A36	1	B347
PART MARK	QTY	DESCRIPTION	LENGTH	REMARKS	Qty.	In Assembly
DWG BY: MWS		JOB: TRAILS - 620 MEDICAL SHELL		CONTRACT NO	5465	
DATE: 10/31/2013				PART MARK	[a.64]	REV. 0
CHK BY: HPS		TITLE: PARTS				
DATE: 10/29/13		CONTRACTOR: STRUCTURA INC.				

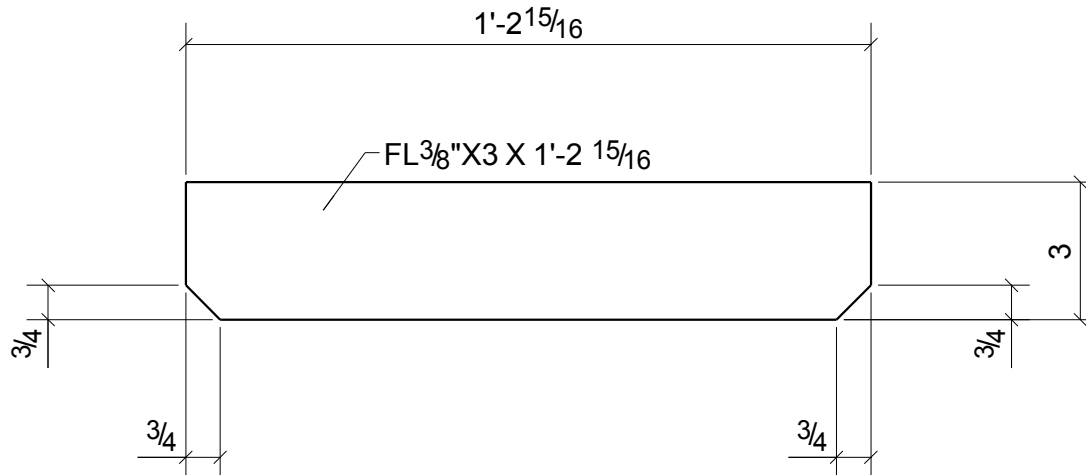
REV	DATE	REMARKS
0	10/29/13	ISSUED FOR FABRICATION



1	B212
1	B240
1	B288
Qty.	In Assembly

a66	3	L3X3X1/4	10'-1 9/16"	A36
PART MARK	QTY	DESCRIPTION	LENGTH	REMARKS
DWG BY: MWS		JOB: TRAILS - 620 MEDICAL SHELL		CONTRACT NO 5465
DATE: 10/31/2013				
CHK BY: HPS		TITLE: PARTS		PART MARK [a.66]
DATE: 10/29/13		CONTRACTOR: STRUCTURA INC.		REV. 0

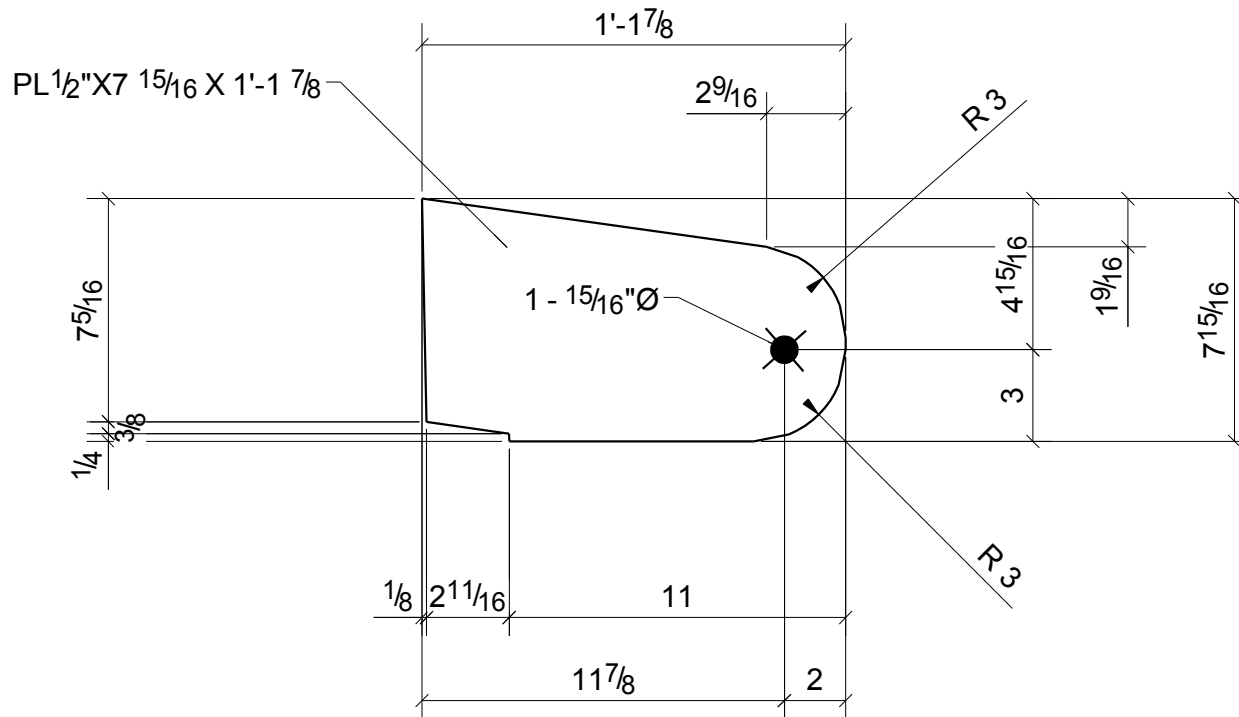
REV	DATE	REMARKS
0	10/29/13	ISSUED FOR FABRICATION



2	B202
4	B204
2	B206
4	B325
2	B387
2	B388
2	B389
2	B391
2	B392
2	B393
Qty.	In Assembly

p50	24	FL $\frac{3}{8}$ " X 3"	$1'-2 \frac{15}{16}$ "	A36
PART MARK	QTY	DESCRIPTION	LENGTH	REMARKS
DWG BY: MWS		JOB: TRAILS - 620 MEDICAL SHELL		CONTRACT NO 5465
DATE: 10/31/2013				
CHK BY: HPS		TITLE: PARTS		PART MARK [p.50]
DATE: 10/29/13		CONTRACTOR: STRUCTURA INC.		REV. 0

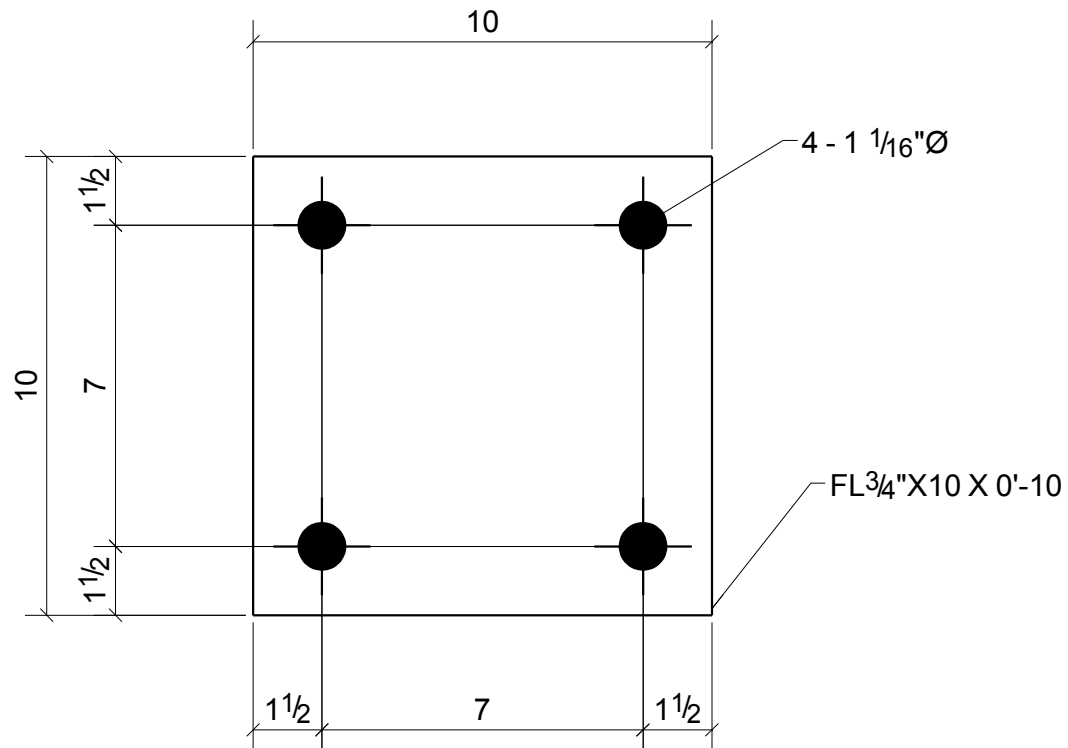
REV	DATE	REMARKS
0	10/29/13	ISSUED FOR FABRICATION



2	B303
2	B328
Qty.	In Assembly

p51	4	PL1/2"X7 15/16"	1'-1 7/8"	A36
PART MARK	QTY	DESCRIPTION	LENGTH	REMARKS
DWG BY: MWS		JOB: TRAILS - 620 MEDICAL SHELL		CONTRACT NO 5465
DATE: 10/31/2013				
CHK BY: HPS		TITLE: PARTS		PART MARK [p.51]
DATE: 10/29/13		CONTRACTOR: STRUCTURA INC.		REV. 0

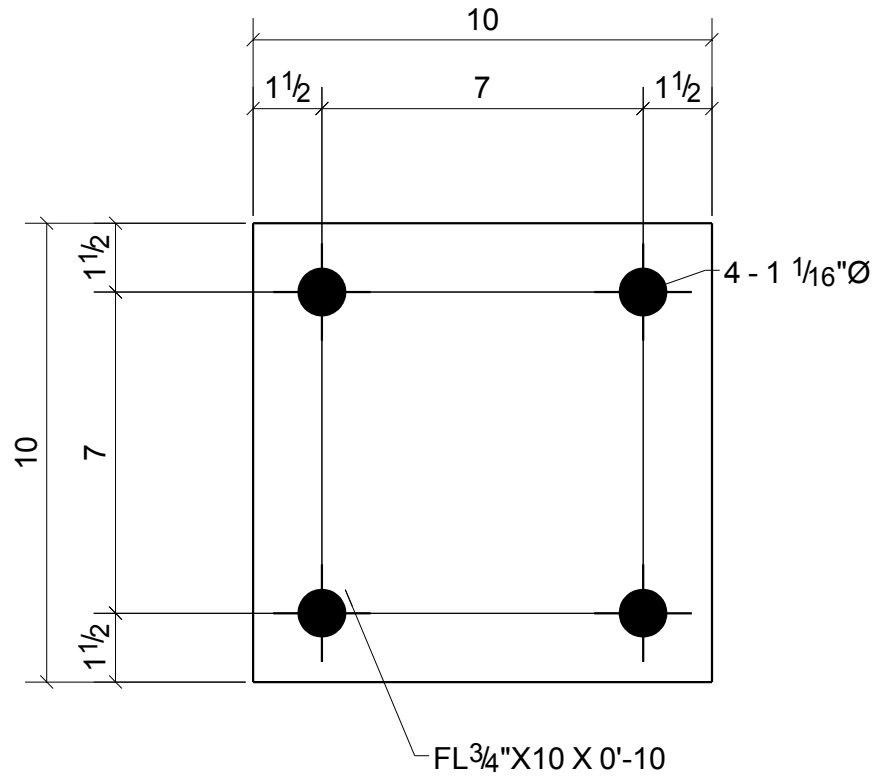
REV	DATE	REMARKS
0	10/29/13	ISSUED FOR FABRICATION



1	M714
1	M716
Qty.	In Assembly

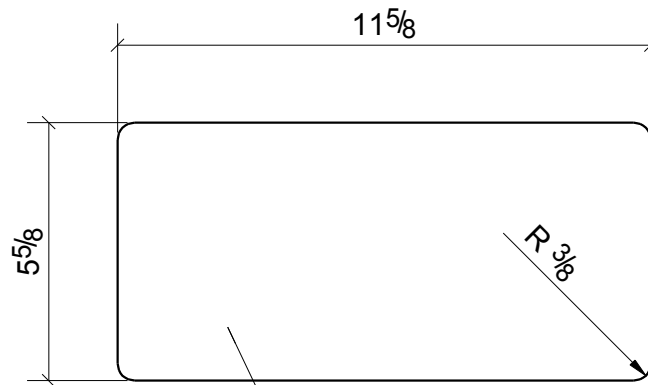
p56	2	FL3/4"X10"	0'-10"	A36
PART MARK	QTY	DESCRIPTION	LENGTH	REMARKS
DWG BY: MWS		JOB: TRAILS - 620 MEDICAL SHELL		CONTRACT NO 5465
DATE: 10/31/2013				
CHK BY: HPS		TITLE: PARTS		PART MARK [p.56]
DATE: 10/29/13		CONTRACTOR: STRUCTURA INC.		REV. 0

REV	DATE	REMARKS
0	10/29/13	ISSUED FOR FABRICATION



p57	6	FL3/4"X10"	0'-10"	A36	6 Qty.	C142 In Assembly
PART MARK	QTY	DESCRIPTION	LENGTH	REMARKS		
DWG BY: MWS	MWS	JOB: TRAILS - 620 MEDICAL SHELL		CONTRACT NO	5465	
DATE: 10/31/2013				PART MARK	[p.57]	REV. 0
CHK BY: HPS	HPS	TITLE: PARTS				
DATE: 10/29/13		CONTRACTOR: STRUCTURA INC.				

REV	DATE	REMARKS
0	10/29/13	ISSUED FOR FABRICATION

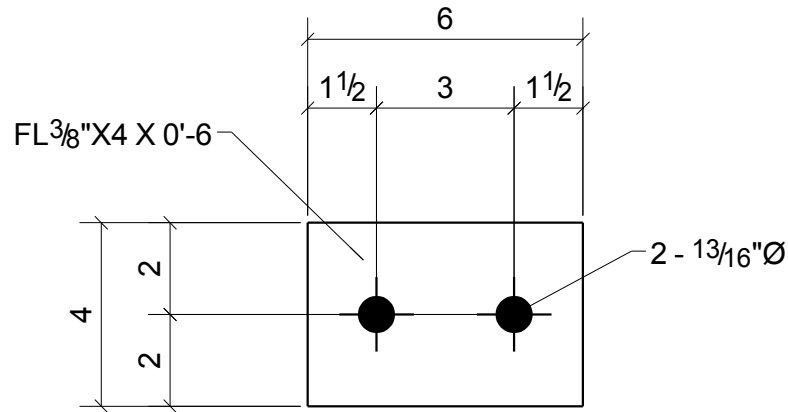


PL 1/4" X 5 5/8 X 0'-11 5/8

2	B229
1	B239
2	B306
2	B332
1	B333
Qty.	In Assembly

p60	8	PL 1/4" X 5 5/8"	0'-11 5/8"	A36
PART MARK	QTY	DESCRIPTION	LENGTH	REMARKS
DWG BY: MWS		JOB: TRAILS - 620 MEDICAL SHELL		CONTRACT NO 5465
DATE: 10/31/2013				
CHK BY: HPS		TITLE: PARTS		PART MARK [p.60]
DATE: 10/29/13		CONTRACTOR: STRUCTURA INC.		REV. 0

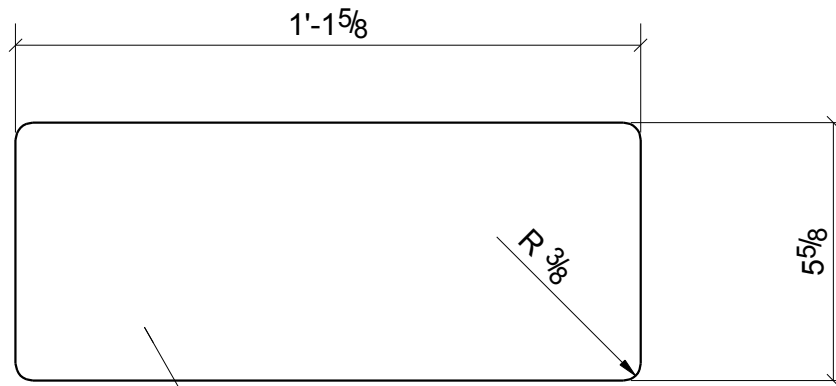
REV	DATE	REMARKS
0	10/29/13	ISSUED FOR FABRICATION



1	B239
1	B289
1	B290
1	B291
1	B298
2	B332
1	B333
2	B335
1	B347
2	B348
1	B350
Qty.	In Assembly

p61	14	FL3/8"X4"	0'-6"	A36
PART MARK	QTY	DESCRIPTION	LENGTH	REMARKS
DWG BY: MWS		JOB: TRAILS - 620 MEDICAL SHELL		CONTRACT NO 5465
DATE: 10/31/2013				
CHK BY: HPS		TITLE: PARTS		PART MARK [p.61]
DATE: 10/29/13		CONTRACTOR: STRUCTURA INC.		REV. 0

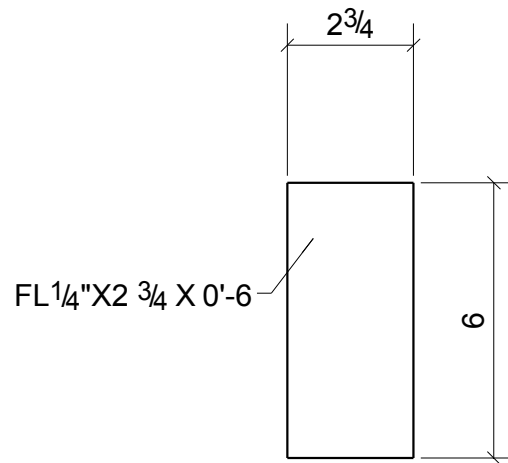
REV	DATE	REMARKS
0	10/29/13	ISSUED FOR FABRICATION



PL 1/4" X 5 5/8 X 1'-1 5/8

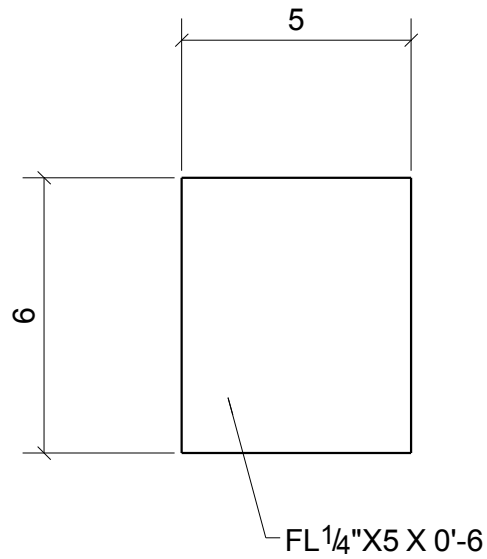
				1	B335
				Qty.	In Assembly
p62	1	PL 1/4" X 5 5/8"	1'-1 5/8"	A36	
PART MARK	QTY	DESCRIPTION	LENGTH	REMARKS	
DWG BY: MWS		JOB: TRAILS - 620 MEDICAL SHELL		CONTRACT NO 5465	
DATE: 10/31/2013					
CHK BY: HPS		TITLE: PARTS		PART MARK [p.62]	
DATE: 10/29/13		CONTRACTOR: STRUCTURA INC.		REV. 0	

REV	DATE	REMARKS
0	10/29/13	ISSUED FOR FABRICATION



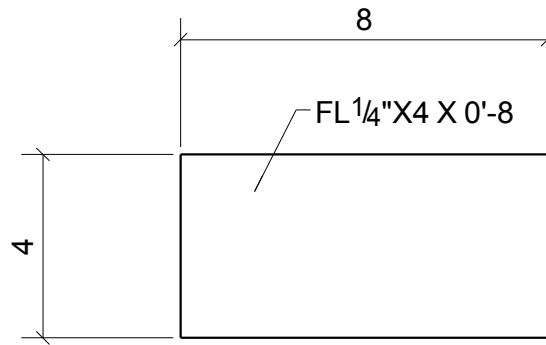
p63	1	FL 1/4" X 2 3/4"	0'-6"	A36
PART MARK	QTY	DESCRIPTION	LENGTH	REMARKS
DWG BY: MWS		JOB: TRAILS - 620 MEDICAL SHELL		CONTRACT NO 5465
DATE: 10/31/2013				
CHK BY: HPS		TITLE: PARTS		PART MARK [p.63]
DATE: 10/29/13		CONTRACTOR: STRUCTURA INC.		REV. 0

REV	DATE	REMARKS
0	10/29/13	ISSUED FOR FABRICATION



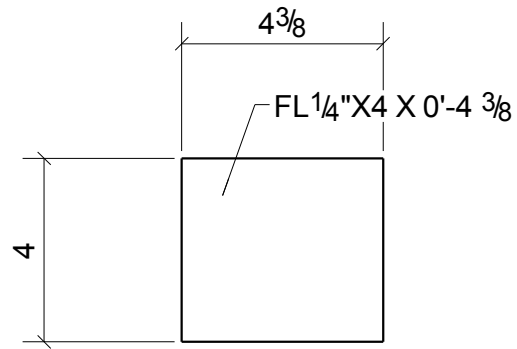
p64		1	FL 1/4"X5"	0'-6"	A36
PART MARK	QTY	DESCRIPTION	LENGTH	REMARKS	
DWG BY: MWS	1	JOB: TRAILS - 620 MEDICAL SHELL			CONTRACT NO
DATE: 10/31/2013					5465
CHK BY: HPS	1	TITLE: PARTS			PART MARK [p.64]
DATE: 10/29/13		CONTRACTOR: STRUCTURA INC.			

REV	DATE	REMARKS
0	10/29/13	ISSUED FOR FABRICATION



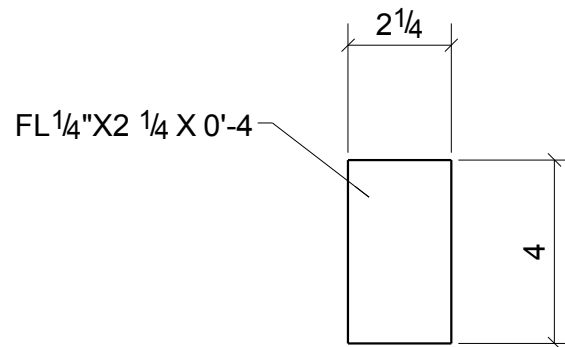
				1	M701
				Qty.	In Assembly
p65	1	FL 1/4" X 4"	0'-8"	A36	
PART MARK	QTY	DESCRIPTION	LENGTH	REMARKS	
DWG BY: MWS		JOB: TRAILS - 620 MEDICAL SHELL		CONTRACT NO 5465	
DATE: 10/31/2013					
CHK BY: HPS		TITLE: PARTS		PART MARK [p.65]	
DATE: 10/29/13		CONTRACTOR: STRUCTURA INC.		REV. 0	

REV	DATE	REMARKS
0	10/29/13	ISSUED FOR FABRICATION



				1	M701
				Qty.	In Assembly
p66	1	FL1/4"X4"	0'-4 3/8"	A36	
PART MARK	QTY	DESCRIPTION	LENGTH	REMARKS	
DWG BY: MWS		JOB: TRAILS - 620 MEDICAL SHELL		CONTRACT NO 5465	
DATE: 10/31/2013					
CHK BY: HPS		TITLE: PARTS		PART MARK [p.66]	REV. 0
DATE: 10/29/13		CONTRACTOR: STRUCTURA INC.			

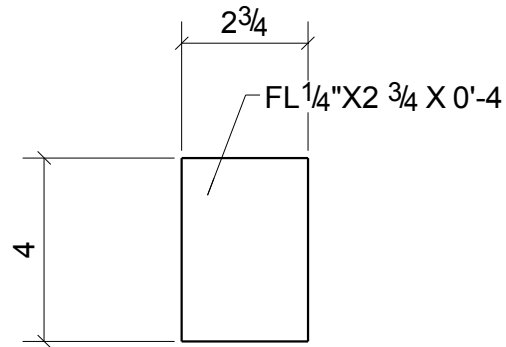
REV	DATE	REMARKS
0	10/29/13	ISSUED FOR FABRICATION



1	B260
1	B261
1	B337
1	M701
Qty.	In Assembly

p67	4	FL1/4"X2 1/4"	0'-4"	A36
PART MARK	QTY	DESCRIPTION	LENGTH	REMARKS
DWG BY: MWS		JOB: TRAILS - 620 MEDICAL SHELL		CONTRACT NO 5465
DATE: 10/31/2013				
CHK BY: HPS		TITLE: PARTS		PART MARK [p.67]
DATE: 10/29/13		CONTRACTOR: STRUCTURA INC.		REV. 0

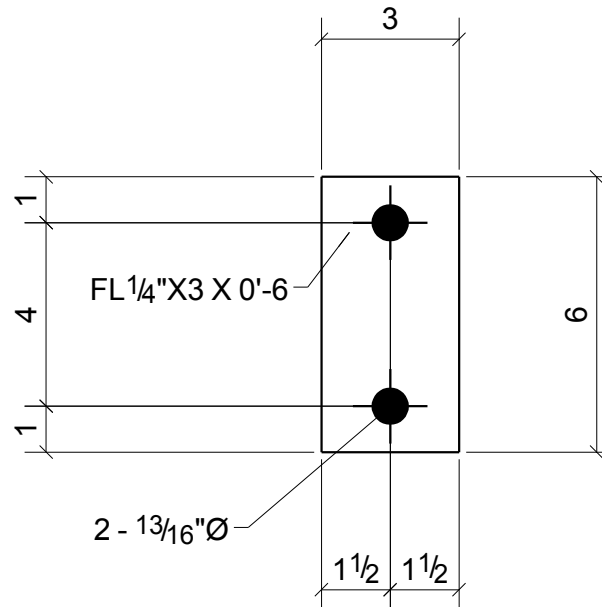
REV	DATE	REMARKS
0	10/29/13	ISSUED FOR FABRICATION



3	B260
1	B261
1	B337
1	M701
Qty.	In Assembly

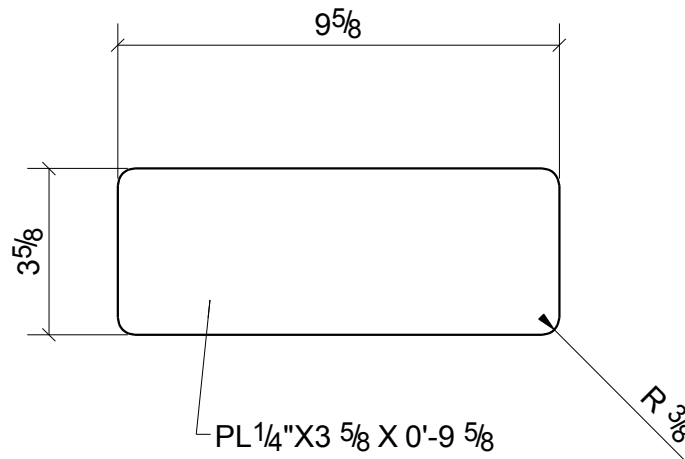
p68	6	FL 1/4" X 2 3/4"	0'-4"	A36
PART MARK	QTY	DESCRIPTION	LENGTH	REMARKS
DWG BY: MWS		JOB: TRAILS - 620 MEDICAL SHELL		CONTRACT NO 5465
DATE: 10/31/2013				
CHK BY: HPS		TITLE: PARTS		PART MARK [p.68]
DATE: 10/29/13		CONTRACTOR: STRUCTURA INC.		REV. 0

REV	DATE	REMARKS
0	10/29/13	ISSUED FOR FABRICATION



				2	M509
				Qty.	In Assembly
p69	2	FL1/4"X3"	0'-6"	A36	
PART MARK	QTY	DESCRIPTION	LENGTH	REMARKS	
DWG BY: MWS		JOB: TRAILS - 620 MEDICAL SHELL		CONTRACT NO	5465
DATE: 10/31/2013					
CHK BY: HPS		TITLE: PARTS		PART MARK	[p.69]
DATE: 10/29/13		CONTRACTOR: STRUCTURA INC.		REV.	0

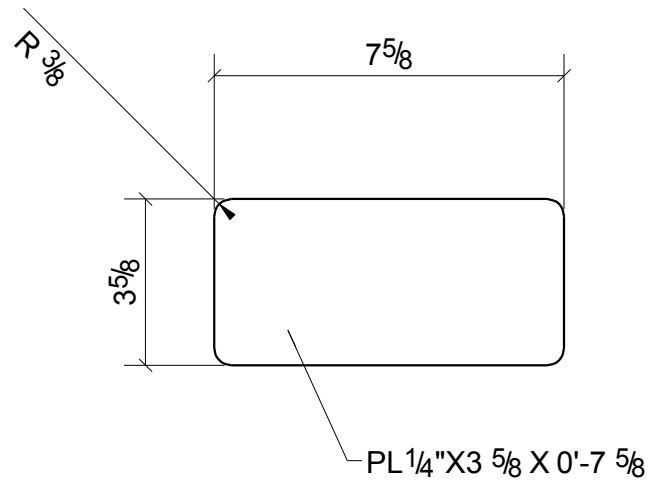
REV	DATE	REMARKS
0	10/29/13	ISSUED FOR FABRICATION



1	B264
1	B351
2	M705
2	M709
2	M714
2	M716
Qty.	In Assembly

p70	10	PL 1/4" X 3 5/8"	0'-9 5/8"	A36
PART MARK	QTY	DESCRIPTION	LENGTH	REMARKS
DWG BY: MWS		JOB: TRAILS - 620 MEDICAL SHELL		CONTRACT NO 5465
DATE: 10/31/2013				
CHK BY: HPS		TITLE: PARTS		PART MARK [p.70]
DATE: 10/29/13		CONTRACTOR: STRUCTURA INC.		REV. 0

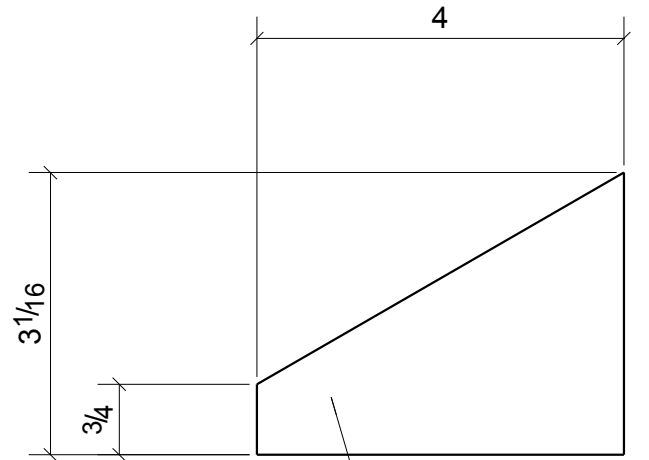
REV	DATE	REMARKS
0	10/29/13	ISSUED FOR FABRICATION



1	B201
2	M701
2	M702
1	M703
1	M704
1	M705
1	M706
1	M708
1	M709
1	M710
1	M711
1	M714
1	M716
Qty.	In Assembly

p71	15	PL1/4"X3 5/8"	0'-7 5/8"	A36
PART MARK	QTY	DESCRIPTION	LENGTH	REMARKS
DWG BY: MWS		JOB: TRAILS - 620 MEDICAL SHELL		CONTRACT NO 5465
DATE: 10/31/2013				
CHK BY: HPS		TITLE: PARTS		PART MARK [p.71]
DATE: 10/29/13		CONTRACTOR: STRUCTURA INC.		REV. 0

REV	DATE	REMARKS
0	10/29/13	ISSUED FOR FABRICATION

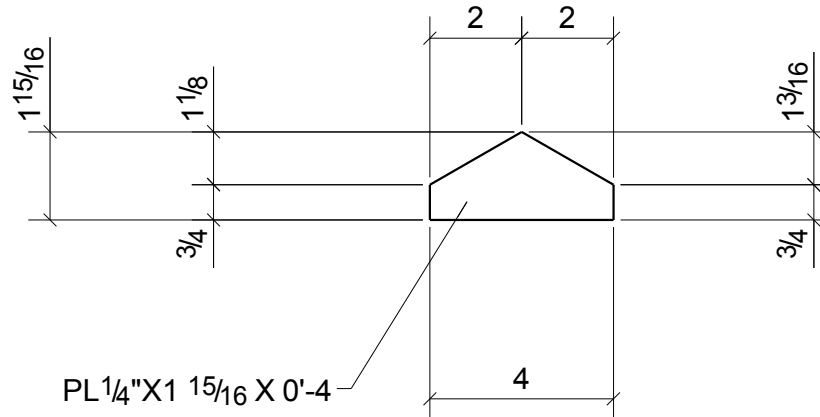


PL 1/4" X 3 1/16 X 0'-4"

1	M701
1	M702
Qty.	In Assembly

p72	2	PL 1/4" X 3 1/16"	0'-4"	A36
PART MARK	QTY	DESCRIPTION	LENGTH	REMARKS
DWG BY: MWS		JOB: TRAILS - 620 MEDICAL SHELL		CONTRACT NO 5465
DATE: 10/31/2013				
CHK BY: HPS		TITLE: PARTS		PART MARK [p.72]
DATE: 10/29/13		CONTRACTOR: STRUCTURA INC.		REV. 0

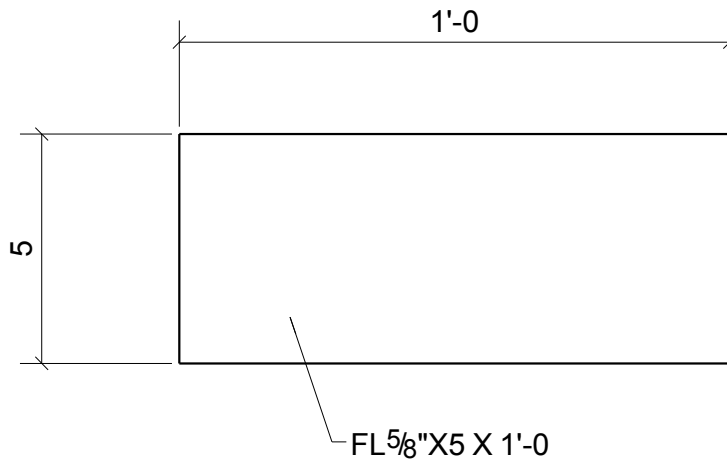
REV	DATE	REMARKS
0	10/29/13	ISSUED FOR FABRICATION



1	B337
1	B351
1	M702
1	M705
2	M706
2	M708
1	M709
Qty.	In Assembly

p73	9	PL1/4"X1 15/16"	0'-4"	A36
PART MARK	QTY	DESCRIPTION	LENGTH	REMARKS
DWG BY: MWS		JOB: TRAILS - 620 MEDICAL SHELL		CONTRACT NO 5465
DATE: 10/31/2013				
CHK BY: HPS		TITLE: PARTS		PART MARK [p.73]
DATE: 10/29/13		CONTRACTOR: STRUCTURA INC.		REV. 0

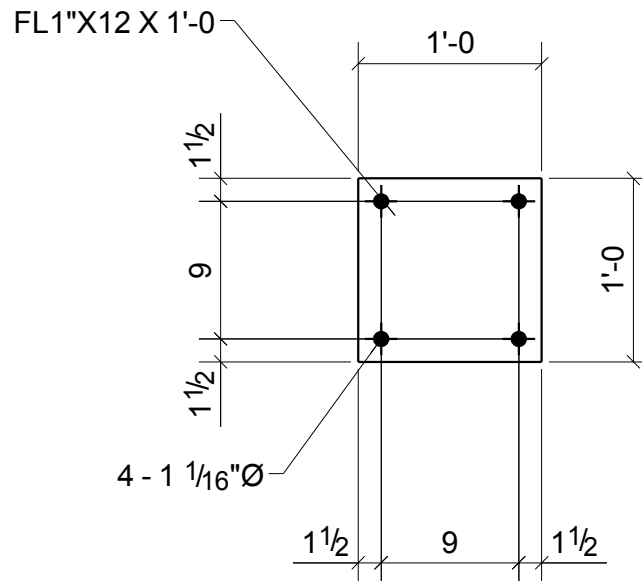
REV	DATE	REMARKS
0	10/29/13	ISSUED FOR FABRICATION



5	C114
6	C142
Qty.	In Assembly

p74	11	FL5/8"X5"	1'-0"	A36
PART MARK	QTY	DESCRIPTION	LENGTH	REMARKS
DWG BY: MWS		JOB: TRAILS - 620 MEDICAL SHELL		CONTRACT NO 5465
DATE: 10/31/2013				
CHK BY: HPS		TITLE: PARTS		PART MARK [p.74]
DATE: 10/29/13		CONTRACTOR: STRUCTURA INC.		REV. 0

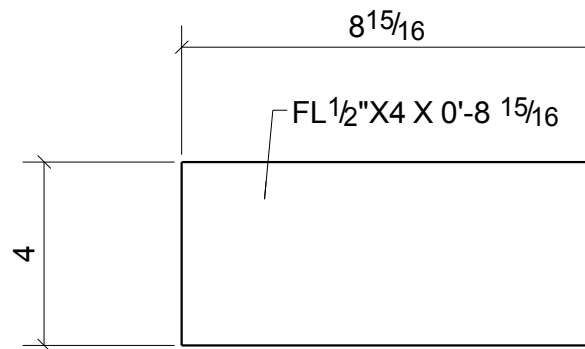
REV	DATE	REMARKS
0	10/29/13	ISSUED FOR FABRICATION



1	M703
1	M710
Qty.	In Assembly

p75	2	FL1"X12"	1'-0"	A36
PART MARK	QTY	DESCRIPTION	LENGTH	REMARKS
DWG BY: MWS		JOB: TRAILS - 620 MEDICAL SHELL		CONTRACT NO 5465
DATE: 10/31/2013				
CHK BY: HPS		TITLE: PARTS		PART MARK [p.75]
DATE: 10/29/13		CONTRACTOR: STRUCTURA INC.		REV. 0

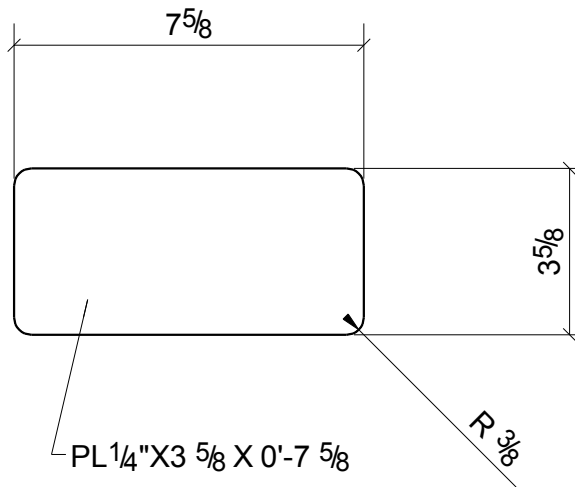
REV	DATE	REMARKS
0	10/29/13	ISSUED FOR FABRICATION



1	M703
1	M704
1	M710
1	M711
1	M714
1	M716
Qty.	In Assembly

p76	6	FL1/2"X4"	0'-8 15/16"	A36
PART MARK	QTY	DESCRIPTION	LENGTH	REMARKS
DWG BY: MWS		JOB: TRAILS - 620 MEDICAL SHELL		CONTRACT NO 5465
DATE: 10/31/2013				
CHK BY: HPS		TITLE: PARTS		PART MARK [p.76]
DATE: 10/29/13		CONTRACTOR: STRUCTURA INC.		REV. 0

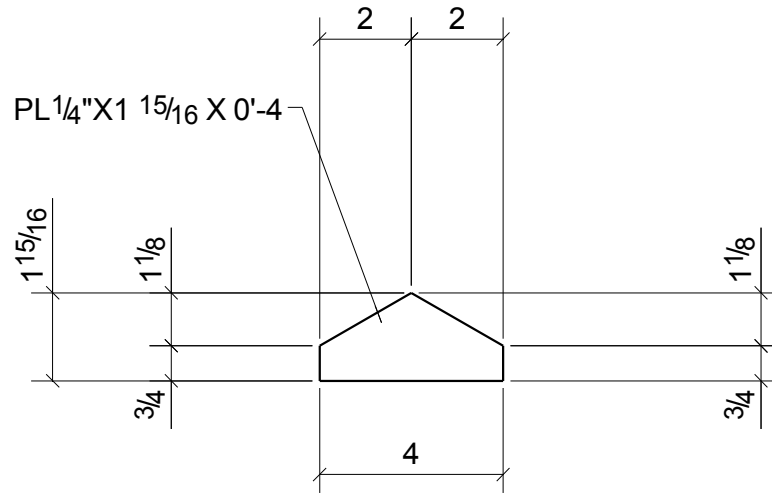
REV	DATE	REMARKS
0	10/29/13	ISSUED FOR FABRICATION



1	M712
1	M713
Qty.	In Assembly

p77	2	PL $1\frac{1}{4}$ " X $3\frac{5}{8}$ "	$0'-7\frac{5}{8}$ "	A36
PART MARK	QTY	DESCRIPTION	LENGTH	REMARKS
DWG BY: MWS		JOB: TRAILS - 620 MEDICAL SHELL		CONTRACT NO 5465
DATE: 10/31/2013				
CHK BY: HPS		TITLE: PARTS		PART MARK [p.77]
DATE: 10/29/13		CONTRACTOR: STRUCTURA INC.		REV. 0

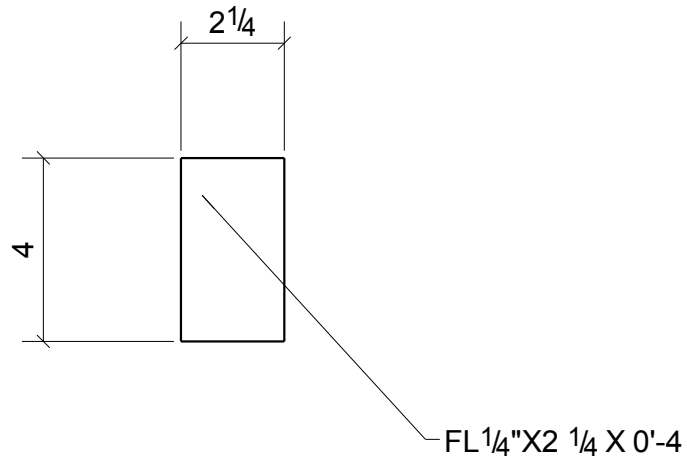
REV	DATE	REMARKS
0	10/29/13	ISSUED FOR FABRICATION



1	M712
1	M713
1	M714
1	M716
Qty.	In Assembly

p78	4	PL 1/4" X 1 15/16"	0'-4"	A36
PART MARK	QTY	DESCRIPTION	LENGTH	REMARKS
DWG BY: MWS		JOB: TRAILS - 620 MEDICAL SHELL		CONTRACT NO 5465
DATE: 10/31/2013				
CHK BY: HPS		TITLE: PARTS		PART MARK [p.78]
DATE: 10/29/13		CONTRACTOR: STRUCTURA INC.		REV. 0

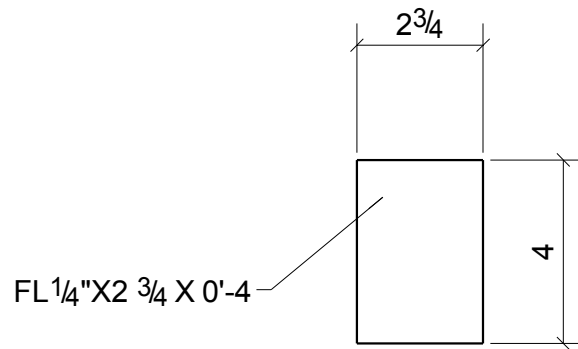
REV	DATE	REMARKS
0	10/29/13	ISSUED FOR FABRICATION



2	M712
2	M713
Qty.	In Assembly

p79	4	FL 1/4" X 2 1/4"	0'-4"	A36
PART MARK	QTY	DESCRIPTION	LENGTH	REMARKS
DWG BY: MWS		JOB: TRAILS - 620 MEDICAL SHELL		CONTRACT NO 5465
DATE: 10/31/2013				
CHK BY: HPS		TITLE: PARTS		PART MARK [p.79]
DATE: 10/29/13		CONTRACTOR: STRUCTURA INC.		REV. 0

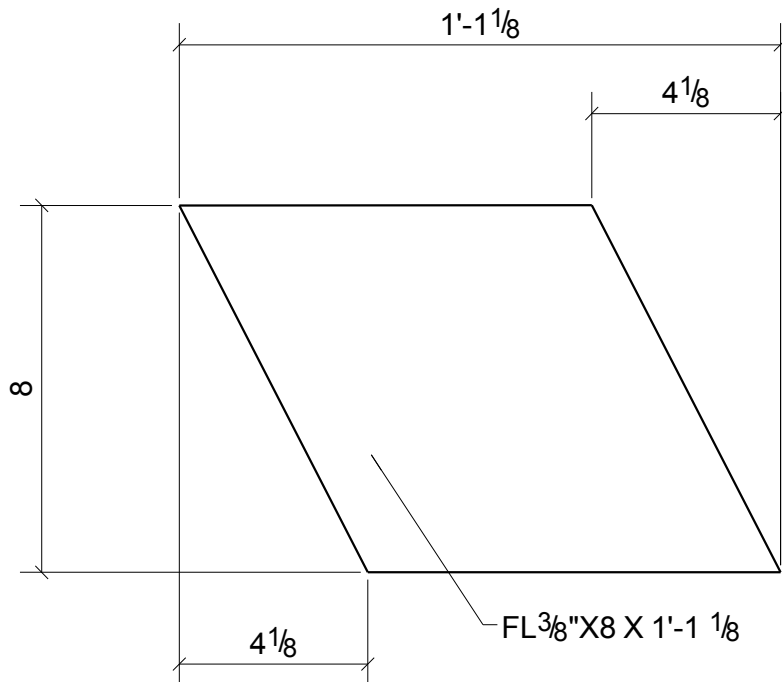
REV	DATE	REMARKS
0	10/29/13	ISSUED FOR FABRICATION



2	M712
2	M713
Qty.	In Assembly

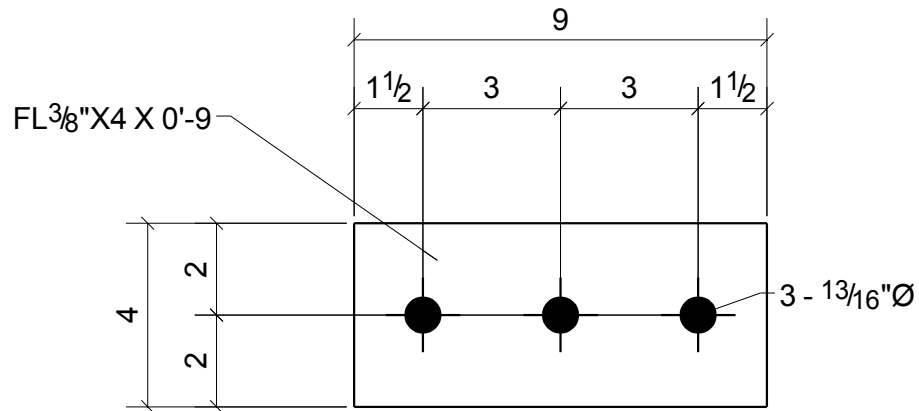
p80	4	FL1/4"X2 3/4"	0'-4"	A36
PART MARK	QTY	DESCRIPTION	LENGTH	REMARKS
DWG BY: MWS		JOB: TRAILS - 620 MEDICAL SHELL		CONTRACT NO 5465
DATE: 10/31/2013				
CHK BY: HPS		TITLE: PARTS		PART MARK [p.80]
DATE: 10/29/13		CONTRACTOR: STRUCTURA INC.		REV. 0

REV	DATE	REMARKS
0	10/29/13	ISSUED FOR FABRICATION



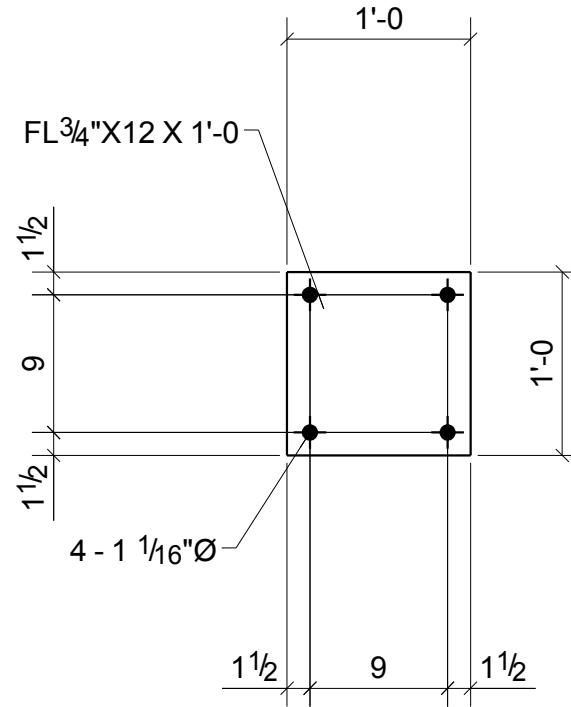
				1	M715
				Qty.	In Assembly
p81	1	FL3/8"X8"	1'-1 1/8"	A36	
PART MARK	QTY	DESCRIPTION	LENGTH	REMARKS	
DWG BY: MWS		JOB: TRAILS - 620 MEDICAL SHELL		CONTRACT NO	5465
DATE: 10/31/2013					
CHK BY: HPS		TITLE: PARTS		PART MARK	[p.81]
DATE: 10/29/13		CONTRACTOR: STRUCTURA INC.		REV.	0

REV	DATE	REMARKS
0	10/29/13	ISSUED FOR FABRICATION



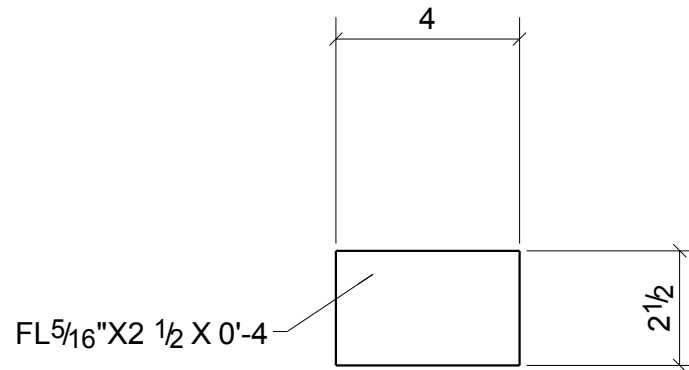
				1	C701
				Qty.	In Assembly
p82	1	FL3/8"X4"	0'-9"	A36	
PART MARK	QTY	DESCRIPTION	LENGTH	REMARKS	
DWG BY: MWS		JOB: TRAILS - 620 MEDICAL SHELL		CONTRACT NO	5465
DATE: 10/31/2013					
CHK BY: HPS		TITLE: PARTS		PART MARK	[p.82]
DATE: 10/29/13		CONTRACTOR: STRUCTURA INC.		REV.	0

REV	DATE	REMARKS
0	10/29/13	ISSUED FOR FABRICATION



p83		1	FL 3/4" X 12"	1'-0"	1	C701
PART MARK	QTY	DESCRIPTION	LENGTH	REMARKS		
DWG BY: MWS		JOB: TRAILS - 620 MEDICAL SHELL		CONTRACT NO 5465		
DATE: 10/31/2013						
CHK BY: HPS		TITLE: PARTS		PART MARK [p.83]		REV. 0
DATE: 10/29/13		CONTRACTOR: STRUCTURA INC.				

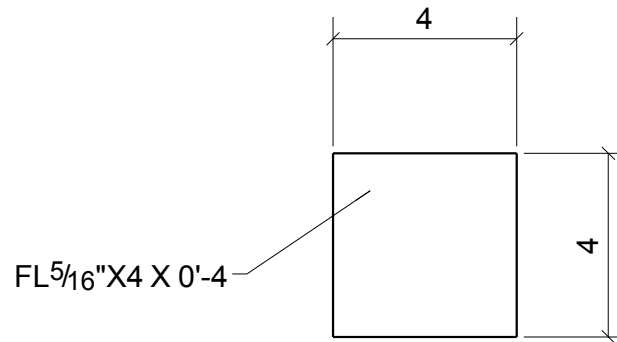
REV	DATE	REMARKS
0	10/29/13	ISSUED FOR FABRICATION



1	M604
1	M605
1	M608
1	M609
Qty.	In Assembly

p85	4	FL5/16"X2 1/2"	0'-4"	A36
PART MARK	QTY	DESCRIPTION	LENGTH	REMARKS
DWG BY: MWS		JOB: TRAILS - 620 MEDICAL SHELL		CONTRACT NO 5465
DATE: 10/31/2013				
CHK BY: HPS		TITLE: PARTS		PART MARK [p.85]
DATE: 10/29/13		CONTRACTOR: STRUCTURA INC.		REV. 0

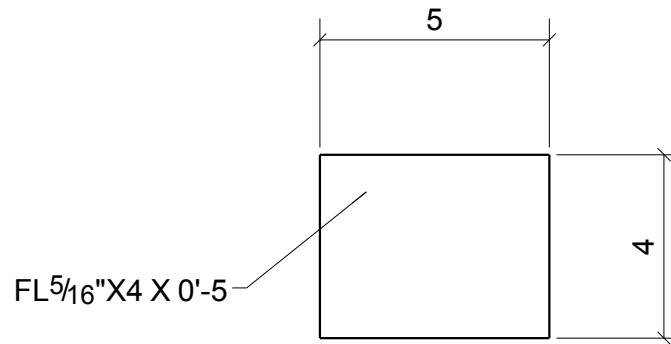
REV	DATE	REMARKS
0	10/29/13	ISSUED FOR FABRICATION



6	M603
1	M608
1	M609
1	M610
1	M611
1	M612
1	M613
1	M614
1	M615
1	M616
1	M617
2	M618
Qty.	In Assembly

p86	18	FL5/16"X4"	0'-4"	A36
PART MARK	QTY	DESCRIPTION	LENGTH	REMARKS
DWG BY: MWS		JOB: TRAILS - 620 MEDICAL SHELL		CONTRACT NO 5465
DATE: 10/31/2013				
CHK BY: HPS		TITLE: PARTS		PART MARK [p.86]
DATE: 10/29/13		CONTRACTOR: STRUCTURA INC.		REV. 0

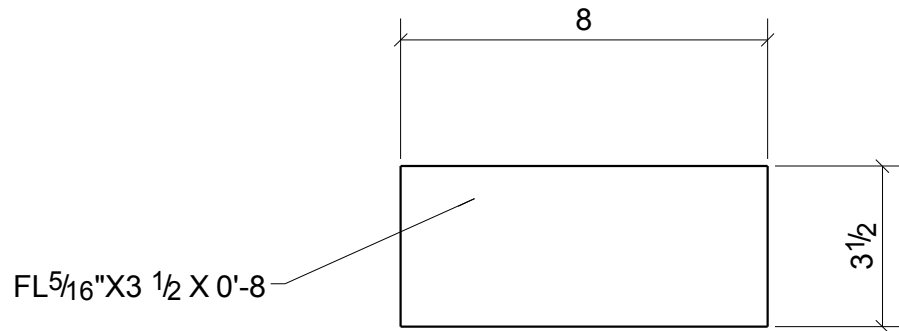
REV	DATE	REMARKS
0	10/29/13	ISSUED FOR FABRICATION



6	M603
2	M618
3	M619
4	M620
Qty.	In Assembly

p87	15	FL5/16"X4"	0'-5"	A36
PART MARK	QTY	DESCRIPTION	LENGTH	REMARKS
DWG BY: MWS		JOB: TRAILS - 620 MEDICAL SHELL		CONTRACT NO 5465
DATE: 10/31/2013				
CHK BY: HPS		TITLE: PARTS		PART MARK [p.87]
DATE: 10/29/13		CONTRACTOR: STRUCTURA INC.		REV. 0

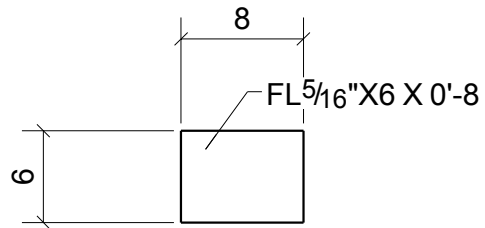
REV	DATE	REMARKS
0	10/29/13	ISSUED FOR FABRICATION



1	M604
1	M605
1	M608
1	M609
Qty.	In Assembly

p88	4	FL5/16"X3 1/2"	0'-8"	A36
PART MARK	QTY	DESCRIPTION	LENGTH	REMARKS
DWG BY: MWS		JOB: TRAILS - 620 MEDICAL SHELL		CONTRACT NO 5465
DATE: 10/31/2013				
CHK BY: HPS		TITLE: PARTS		PART MARK [p.88] REV. 0
DATE: 10/29/13		CONTRACTOR: STRUCTURA INC.		

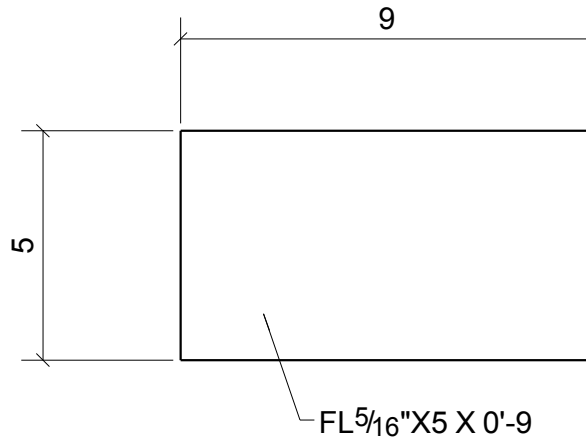
REV	DATE	REMARKS
0	10/29/13	ISSUED FOR FABRICATION



1	M604
1	M605
1	M608
1	M609
1	M610
1	M611
1	M612
1	M613
1	M614
1	M615
1	M616
1	M617
Qty.	In Assembly

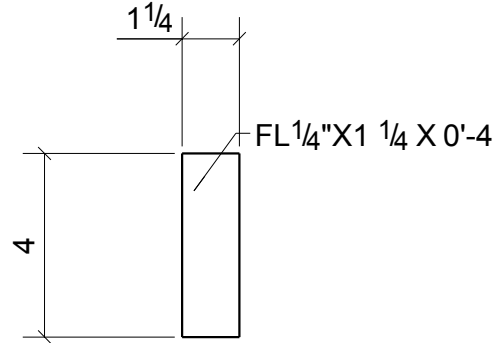
p89	12	FL5/16"X6"	0'-8"	A36
PART MARK	QTY	DESCRIPTION	LENGTH	REMARKS
DWG BY: MWS		JOB: TRAILS - 620 MEDICAL SHELL		CONTRACT NO 5465
DATE: 10/31/2013				
CHK BY: HPS		TITLE: PARTS		PART MARK [p.89]
DATE: 10/29/13		CONTRACTOR: STRUCTURA INC.		REV. 0

REV	DATE	REMARKS
0	10/29/13	ISSUED FOR FABRICATION



p90		4	FL5/16"X5"	0'-9"	A36	4 Qty.	B242 In Assembly
PART MARK	QTY	DESCRIPTION	LENGTH	REMARKS			
DWG BY: MWS	MWS	JOB: TRAILS - 620 MEDICAL SHELL			CONTRACT NO 5465		
DATE: 10/31/2013							
CHK BY: HPS	HPS	TITLE: PARTS			PART MARK [p.90]		REV. 0
DATE: 10/29/13		CONTRACTOR: STRUCTURA INC.					

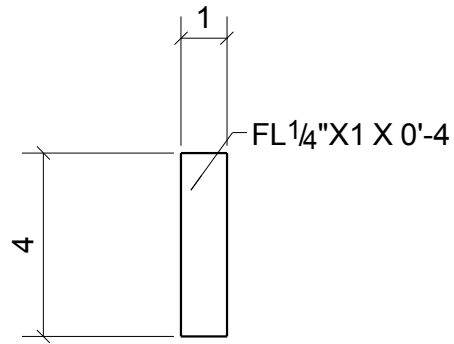
REV	DATE	REMARKS
0	10/29/13	ISSUED FOR FABRICATION



1	M604
1	M605
1	M608
1	M609
1	M610
1	M611
1	M612
1	M613
1	M614
1	M615
1	M616
1	M617
Qty.	In Assembly

p91	12	FL1/4"X1 1/4"	0'-4"	A36
PART MARK	QTY	DESCRIPTION	LENGTH	REMARKS
DWG BY: MWS		JOB: TRAILS - 620 MEDICAL SHELL		CONTRACT NO 5465
DATE: 10/31/2013				
CHK BY: HPS		TITLE: PARTS		PART MARK [p.91]
DATE: 10/29/13		CONTRACTOR: STRUCTURA INC.		REV. 0

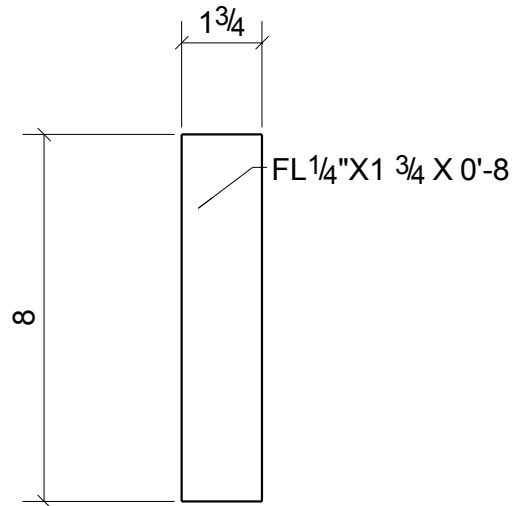
REV	DATE	REMARKS
0	10/29/13	ISSUED FOR FABRICATION



1	M610
1	M611
1	M612
1	M613
1	M614
1	M615
1	M616
1	M617
Qty.	In Assembly

p92	8	FL 1/4"X1"	0'-4"	A36
PART MARK	QTY	DESCRIPTION	LENGTH	REMARKS
DWG BY: MWS		JOB: TRAILS - 620 MEDICAL SHELL		CONTRACT NO 5465
DATE: 10/31/2013				
CHK BY: HPS		TITLE: PARTS		PART MARK [p.92]
DATE: 10/29/13		CONTRACTOR: STRUCTURA INC.		REV. 0

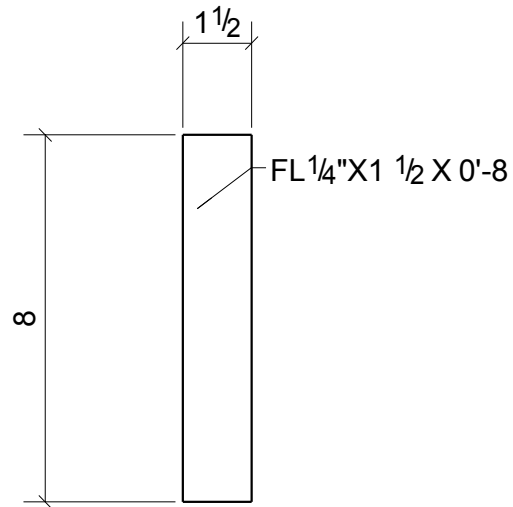
REV	DATE	REMARKS
0	10/29/13	ISSUED FOR FABRICATION



1	M610
1	M611
1	M612
1	M613
1	M614
1	M615
1	M616
1	M617
Qty.	In Assembly

p93	8	FL1/4"X1 3/4"	0'-8"	A36
PART MARK	QTY	DESCRIPTION	LENGTH	REMARKS
DWG BY: MWS		JOB: TRAILS - 620 MEDICAL SHELL		CONTRACT NO 5465
DATE: 10/31/2013				
CHK BY: HPS		TITLE: PARTS		PART MARK [p.93]
DATE: 10/29/13		CONTRACTOR: STRUCTURA INC.		REV. 0

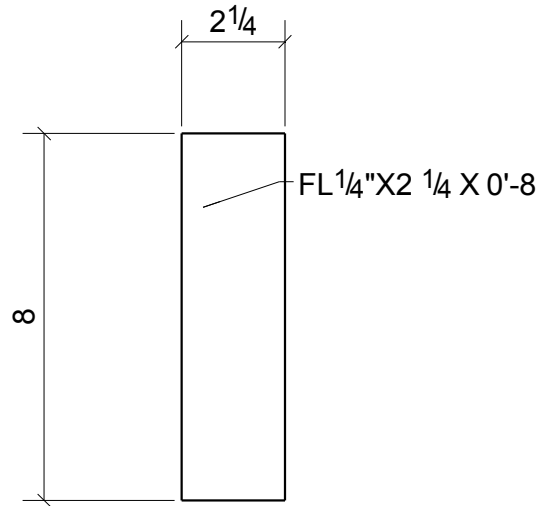
REV	DATE	REMARKS
0	10/29/13	ISSUED FOR FABRICATION



1	M604
1	M605
1	M608
1	M609
1	M610
1	M611
1	M612
1	M613
1	M614
1	M615
1	M616
1	M617
Qty.	In Assembly

p94	12	FL1/4"X1 1/2"	0'-8"	A36
PART MARK	QTY	DESCRIPTION	LENGTH	REMARKS
DWG BY: MWS		JOB: TRAILS - 620 MEDICAL SHELL		CONTRACT NO 5465
DATE: 10/31/2013				
CHK BY: HPS		TITLE: PARTS		PART MARK [p.94]
DATE: 10/29/13		CONTRACTOR: STRUCTURA INC.		REV. 0

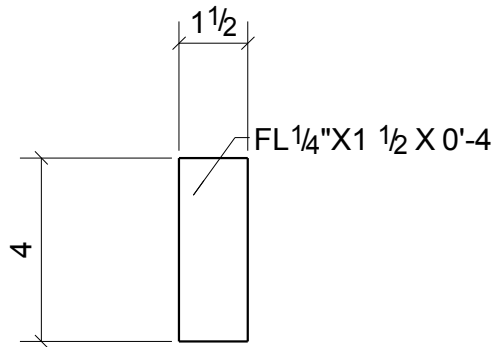
REV	DATE	REMARKS
0	10/29/13	ISSUED FOR FABRICATION



1	M604
1	M605
1	M608
1	M609
Qty.	In Assembly

p95	4	FL1/4"X2 1/4"	0'-8"	A36
PART MARK	QTY	DESCRIPTION	LENGTH	REMARKS
DWG BY: MWS		JOB: TRAILS - 620 MEDICAL SHELL		CONTRACT NO 5465
DATE: 10/31/2013				
CHK BY: HPS		TITLE: PARTS		PART MARK [p.95]
DATE: 10/29/13		CONTRACTOR: STRUCTURA INC.		REV. 0

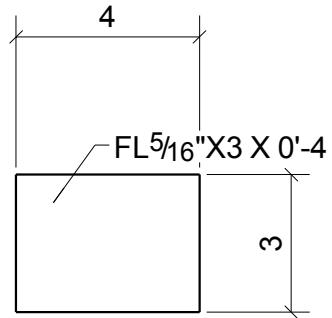
REV	DATE	REMARKS
0	10/29/13	ISSUED FOR FABRICATION



1	M604
1	M605
1	M608
1	M609
Qty.	In Assembly

p96	4	FL 1/4" X 1 1/2"	0'-4"	A36
PART MARK	QTY	DESCRIPTION	LENGTH	REMARKS
DWG BY: MWS		JOB: TRAILS - 620 MEDICAL SHELL		CONTRACT NO 5465
DATE: 10/31/2013				
CHK BY: HPS		TITLE: PARTS		PART MARK [p.96]
DATE: 10/29/13		CONTRACTOR: STRUCTURA INC.		REV. 0

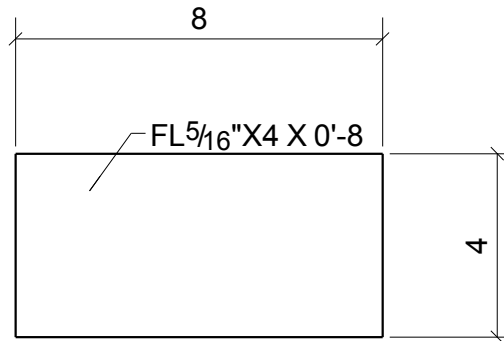
REV	DATE	REMARKS
0	10/29/13	ISSUED FOR FABRICATION



1	M610
1	M611
1	M612
1	M613
1	M614
1	M615
1	M616
1	M617
Qty.	In Assembly

p97	8	FL5/16"X3"	0'-4"	A36
PART MARK	QTY	DESCRIPTION	LENGTH	REMARKS
DWG BY: MWS		JOB: TRAILS - 620 MEDICAL SHELL		CONTRACT NO 5465
DATE: 10/31/2013				
CHK BY: HPS		TITLE: PARTS		PART MARK [p.97]
DATE: 10/29/13		CONTRACTOR: STRUCTURA INC.		REV. 0

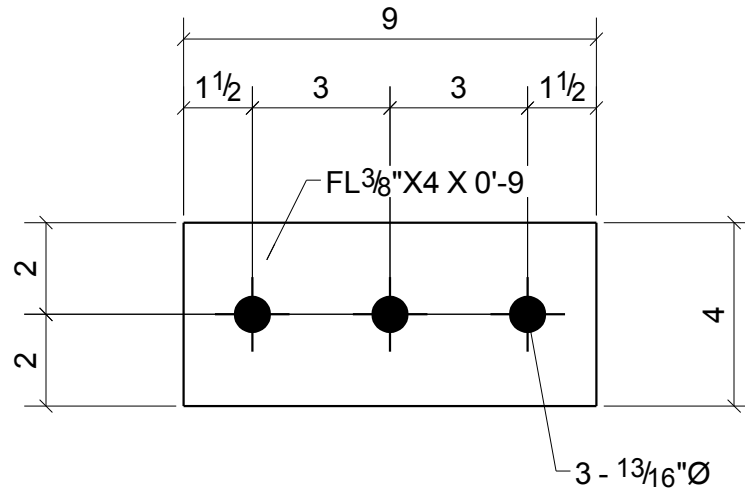
REV	DATE	REMARKS
0	10/29/13	ISSUED FOR FABRICATION



1	M610
1	M611
1	M612
1	M613
1	M614
1	M615
1	M616
1	M617
Qty.	In Assembly

p98	8	FL5/16"X4"	0'-8"	A36
PART MARK	QTY	DESCRIPTION	LENGTH	REMARKS
DWG BY: MWS		JOB: TRAILS - 620 MEDICAL SHELL		CONTRACT NO 5465
DATE: 10/31/2013				
CHK BY: HPS		TITLE: PARTS		PART MARK [p.98]
DATE: 10/29/13		CONTRACTOR: STRUCTURA INC.		REV. 0

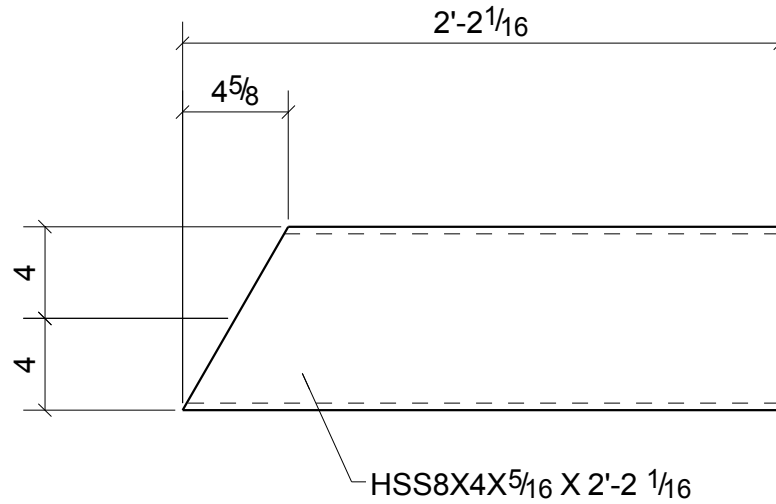
REV	DATE	REMARKS
0	10/29/13	ISSUED FOR FABRICATION



1	B267
2	B278
2	B369
1	C117
1	PG14
Qty.	In Assembly

pa63	7	FL3/8"X4"	0'-9"	A36
PART MARK	QTY	DESCRIPTION	LENGTH	REMARKS
DWG BY: MWS		JOB: TRAILS - 620 MEDICAL SHELL		CONTRACT NO 5465
DATE: 10/31/2013				
CHK BY: HPS		TITLE: PARTS		PART MARK [pa63]
DATE: 10/29/13		CONTRACTOR: STRUCTURA INC.		REV. 0

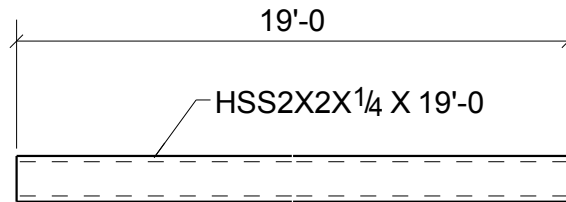
REV	DATE	REMARKS
0	10/29/13	ISSUED FOR FABRICATION



2	M701
2	M702
Qty.	In Assembly

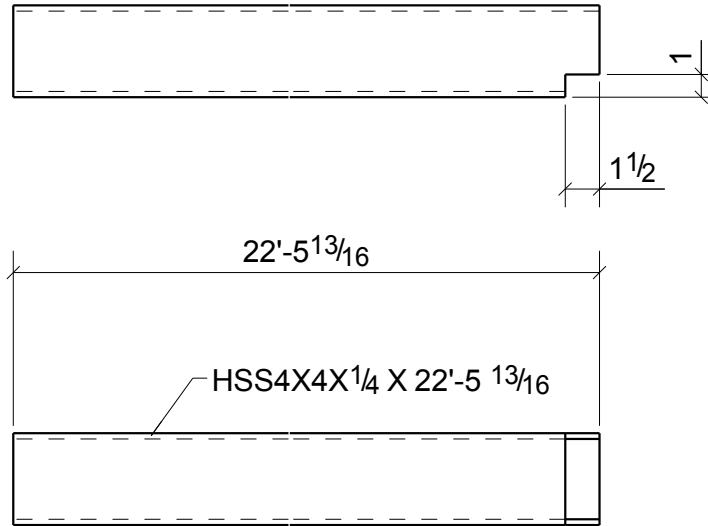
ts12	4	HSS8X4X5/16	2'-2 1/16"	A500
PART MARK	QTY	DESCRIPTION	LENGTH	REMARKS
DWG BY: MWS		JOB: TRAILS - 620 MEDICAL SHELL		CONTRACT NO 5465
DATE: 10/31/2013				
CHK BY: HPS		TITLE: PARTS		PART MARK [ts.12]
DATE: 10/29/13		CONTRACTOR: STRUCTURA INC.		REV. 0

REV	DATE	REMARKS
0	10/29/13	ISSUED FOR FABRICATION



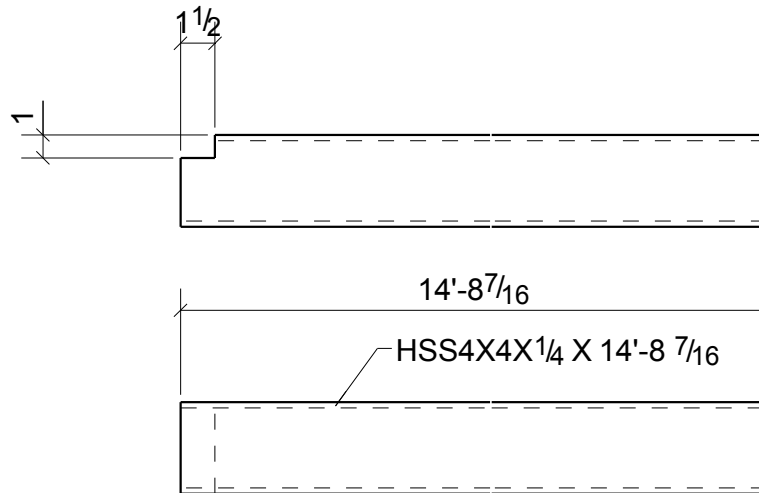
ts13	9	HSS2X2X1/4	19'-0"	A500
PART MARK	QTY	DESCRIPTION	LENGTH	REMARKS
DWG BY: MWS	MWS	JOB: TRAILS - 620 MEDICAL SHELL		CONTRACT NO 5465
DATE: 10/31/2013				
CHK BY: HPS	HPS	TITLE: PARTS		PART MARK [ts.13]
DATE: 10/29/13		CONTRACTOR: STRUCTURA INC.		REV. 0

REV	DATE	REMARKS
0	10/29/13	ISSUED FOR FABRICATION



ts14		1	HSS4X4X1/4	22'-5 13/16	A500
PART MARK	QTY	DESCRIPTION	LENGTH	REMARKS	
DWG BY: MWS	MWS	JOB: TRAILS - 620 MEDICAL SHELL			CONTRACT NO
DATE: 10/31/2013				5465	
CHK BY: HPS	HPS	TITLE: PARTS			PART MARK
DATE: 10/29/13		CONTRACTOR: STRUCTURA INC.			[ts.14]
					REV.
					0

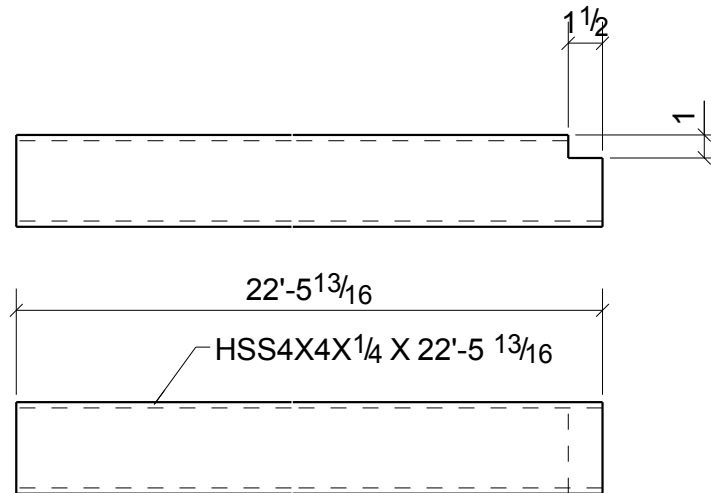
REV	DATE	REMARKS
0	10/29/13	ISSUED FOR FABRICATION



1	M612
1	M616
Qty.	In Assembly

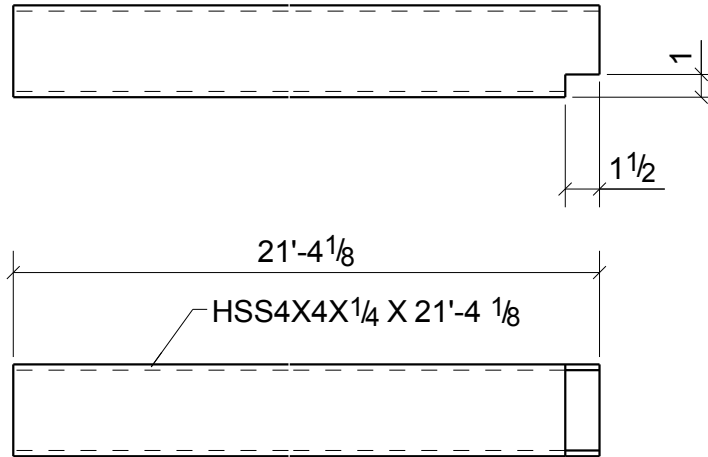
ts15	2	HSS4X4X1/4	14'-8 7/16"	A500
PART MARK	QTY	DESCRIPTION	LENGTH	REMARKS
DWG BY: MWS		JOB: TRAILS - 620 MEDICAL SHELL		CONTRACT NO 5465
DATE: 10/31/2013				
CHK BY: HPS		TITLE: PARTS		PART MARK [ts.15]
DATE: 10/29/13		CONTRACTOR: STRUCTURA INC.		REV. 0

REV	DATE	REMARKS
0	10/29/13	ISSUED FOR FABRICATION



				1	M617
				Qty.	In Assembly
ts16	1	HSS4X4X1/4	22'-5 13/16	A500	
PART MARK	QTY	DESCRIPTION	LENGTH	REMARKS	
DWG BY: MWS		JOB: TRAILS - 620 MEDICAL SHELL			CONTRACT NO
DATE: 10/31/2013					5465
CHK BY: HPS		TITLE: PARTS			PART MARK
DATE: 10/29/13		CONTRACTOR: STRUCTURA INC.			[ts.16]
					REV. 0

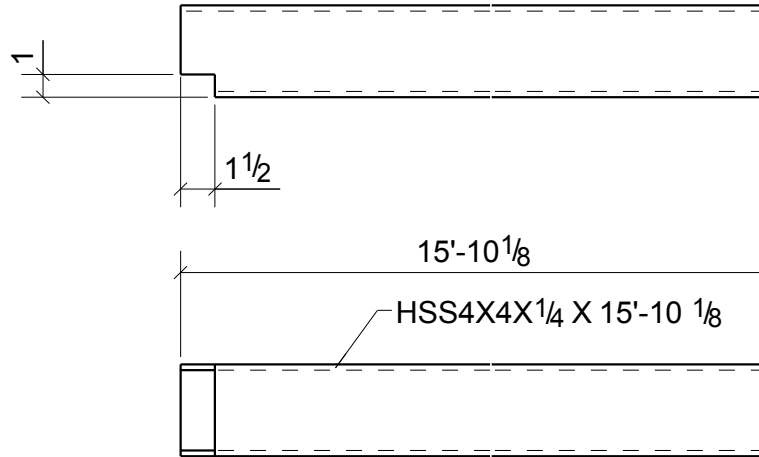
REV	DATE	REMARKS
0	10/29/13	ISSUED FOR FABRICATION



1	M610
1	M614
Qty.	In Assembly

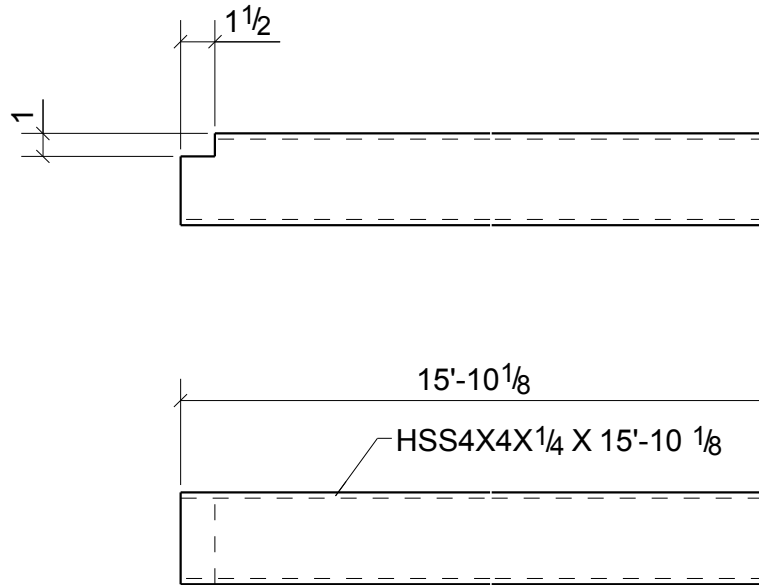
ts17	2	HSS4X4X1/4	21'-4 1/8"	A500
PART MARK	QTY	DESCRIPTION	LENGTH	REMARKS
DWG BY: MWS		JOB: TRAILS - 620 MEDICAL SHELL		CONTRACT NO 5465
DATE: 10/31/2013				
CHK BY: HPS		TITLE: PARTS		PART MARK [ts.17]
DATE: 10/29/13		CONTRACTOR: STRUCTURA INC.		REV. 0

REV	DATE	REMARKS
0	10/29/13	ISSUED FOR FABRICATION



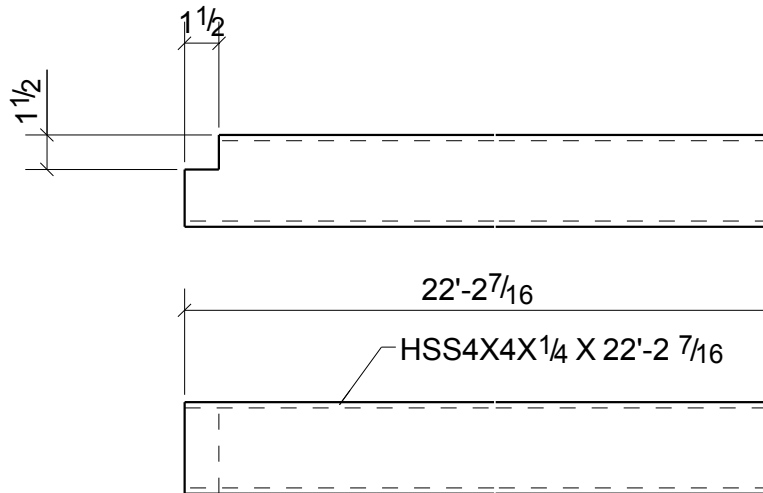
PART MARK		QTY	DESCRIPTION	LENGTH	REMARKS
ts18		1	HSS4X4X1/4	15'-10 1/8"	A500
DWG BY: MWS		JOB: TRAILS - 620 MEDICAL SHELL			CONTRACT NO
DATE: 10/31/2013					5465
CHK BY: HPS		TITLE: PARTS			PART MARK [ts.18]
DATE: 10/29/13		CONTRACTOR: STRUCTURA INC.			REV. 0

REV	DATE	REMARKS
0	10/29/13	ISSUED FOR FABRICATION



PART MARK		QTY	DESCRIPTION	LENGTH	REMARKS
ts19		1	HSS4X4X1/4	15'-10 1/8"	A500
DWG BY: MWS		JOB: TRAILS - 620 MEDICAL SHELL			CONTRACT NO
DATE: 10/31/2013					5465
CHK BY: HPS		TITLE: PARTS			PART MARK [ts.19]
DATE: 10/29/13		CONTRACTOR: STRUCTURA INC.			REV. 0

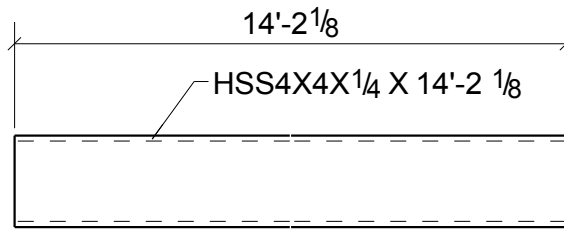
REV	DATE	REMARKS
0	10/29/13	ISSUED FOR FABRICATION



1	M604
1	M605
Qty.	In Assembly

ts20	2	HSS4X4X1/4	22'-2 7/16"	A500
PART MARK	QTY	DESCRIPTION	LENGTH	REMARKS
DWG BY: MWS		JOB: TRAILS - 620 MEDICAL SHELL		CONTRACT NO 5465
DATE: 10/31/2013				
CHK BY: HPS		TITLE: PARTS		PART MARK [ts.20]
DATE: 10/29/13		CONTRACTOR: STRUCTURA INC.		REV. 0

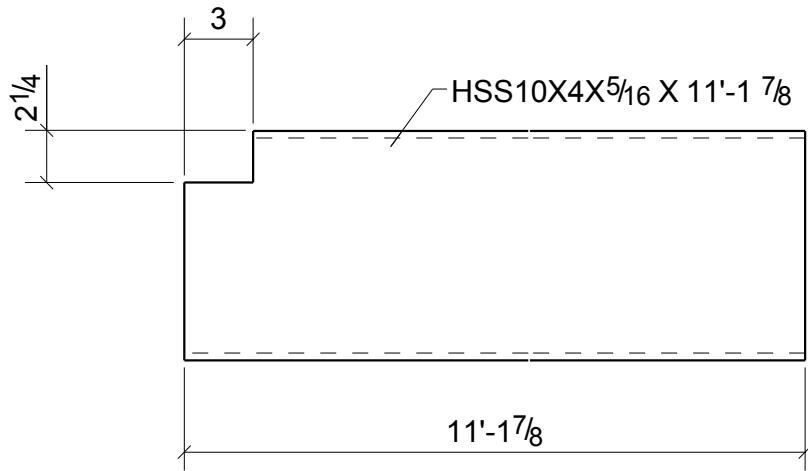
REV	DATE	REMARKS
0	10/29/13	ISSUED FOR FABRICATION



3	M603
1	M618
Qty.	In Assembly

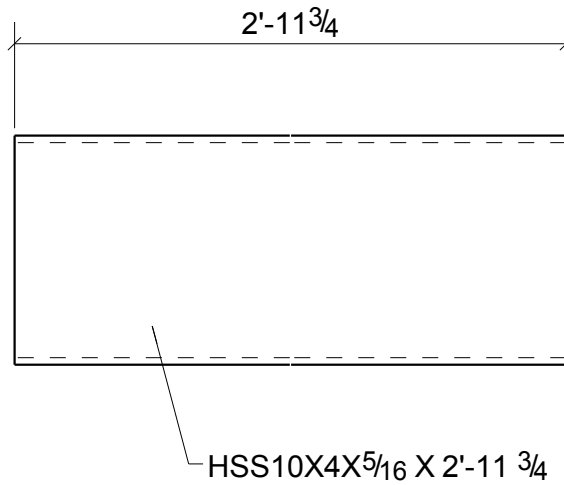
ts21	4	HSS4X4X1/4	14'-2 1/8"	A500
PART MARK	QTY	DESCRIPTION	LENGTH	REMARKS
DWG BY: MWS	MWS	JOB: TRAILS - 620 MEDICAL SHELL		CONTRACT NO 5465
DATE: 10/31/2013				
CHK BY: HPS	HPS	TITLE: PARTS		PART MARK [ts.21] REV. 0
DATE: 10/29/13		CONTRACTOR: STRUCTURA INC.		

REV	DATE	REMARKS
0	10/29/13	ISSUED FOR FABRICATION



ts25		1	HSS10X4X5/16	11'-1 7/8"	A500
PART MARK	QTY	DESCRIPTION	LENGTH	REMARKS	
DWG BY: MWS	MWS	JOB: TRAILS - 620 MEDICAL SHELL			CONTRACT NO
DATE: 10/31/2013				5465	
CHK BY: HPS	HPS	TITLE: PARTS			PART MARK
DATE: 10/29/13		CONTRACTOR: STRUCTURA INC.			[ts.25]
					REV.
					0

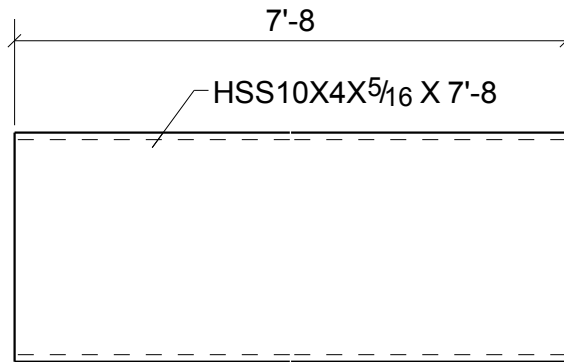
REV	DATE	REMARKS
0	10/29/13	ISSUED FOR FABRICATION



1	M714
1	M716
Qty.	In Assembly

ts26	2	HSS10X4X5/16	2'-11 3/4"	A500
PART MARK	QTY	DESCRIPTION	LENGTH	REMARKS
DWG BY: MWS		JOB: TRAILS - 620 MEDICAL SHELL		CONTRACT NO 5465
DATE: 10/31/2013				
CHK BY: HPS		TITLE: PARTS		PART MARK [ts.26]
DATE: 10/29/13		CONTRACTOR: STRUCTURA INC.		REV. 0

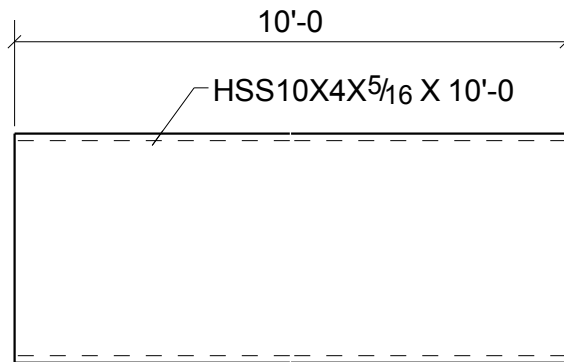
REV	DATE	REMARKS
0	10/29/13	ISSUED FOR FABRICATION



1	M706
1	M708
Qty.	In Assembly

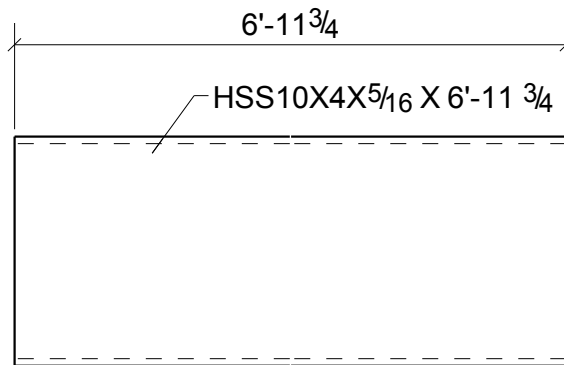
ts27	2	HSS10X4X5/16	7'-8"	A500
PART MARK	QTY	DESCRIPTION	LENGTH	REMARKS
DWG BY: MWS		JOB: TRAILS - 620 MEDICAL SHELL		CONTRACT NO 5465
DATE: 10/31/2013				
CHK BY: HPS		TITLE: PARTS		PART MARK [ts.27]
DATE: 10/29/13		CONTRACTOR: STRUCTURA INC.		REV. 0

REV	DATE	REMARKS
0	10/29/13	ISSUED FOR FABRICATION



				1	M702
				Qty.	In Assembly
ts29	1	HSS10X4X5/16	10'-0"	A500	
PART MARK	QTY	DESCRIPTION	LENGTH	REMARKS	
DWG BY: MWS		JOB: TRAILS - 620 MEDICAL SHELL		CONTRACT NO 5465	
DATE: 10/31/2013					
CHK BY: HPS		TITLE: PARTS		PART MARK [ts.29]	REV. 0
DATE: 10/29/13		CONTRACTOR: STRUCTURA INC.			

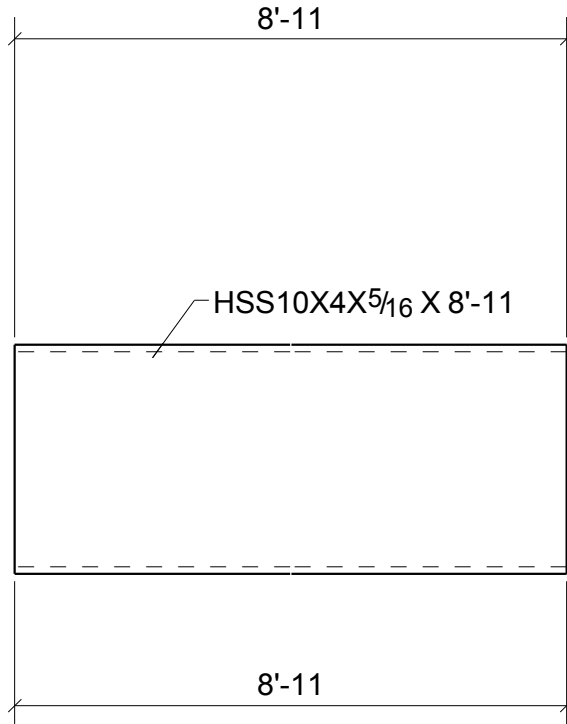
REV	DATE	REMARKS
0	10/29/13	ISSUED FOR FABRICATION



1	M705
1	M709
Qty.	In Assembly

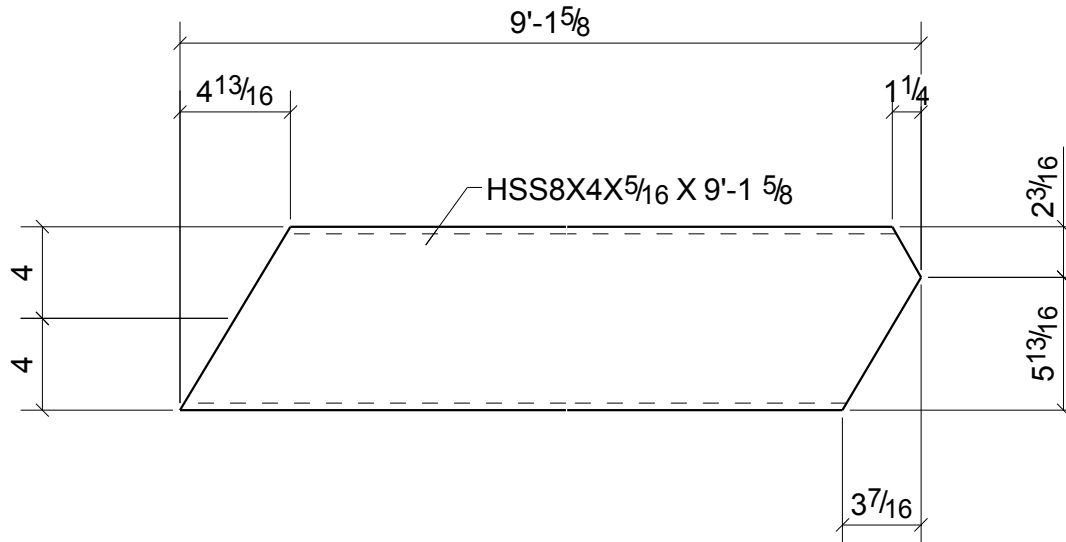
ts30	2	HSS10X4X5/16	6'-11 3/4"	A500
PART MARK	QTY	DESCRIPTION	LENGTH	REMARKS
DWG BY: MWS		JOB: TRAILS - 620 MEDICAL SHELL		CONTRACT NO 5465
DATE: 10/31/2013				
CHK BY: HPS		TITLE: PARTS		PART MARK [ts.30]
DATE: 10/29/13		CONTRACTOR: STRUCTURA INC.		REV. 0

REV	DATE	REMARKS
0	10/29/13	ISSUED FOR FABRICATION



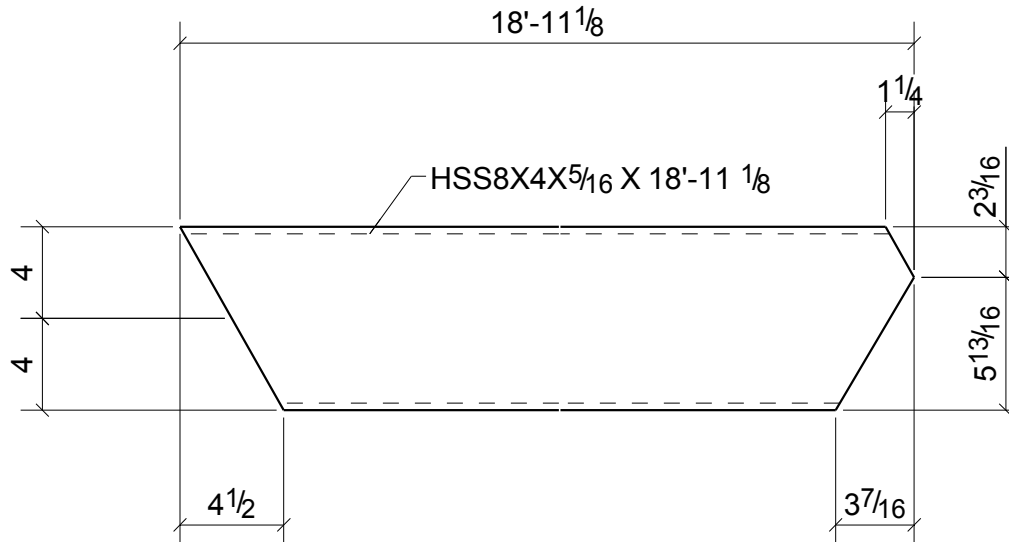
PART MARK		QTY	DESCRIPTION	LENGTH	REMARKS
ts32		1	HSS10X4X5/16	8'-11"	A500
DWG BY: MWS		JOB: TRAILS - 620 MEDICAL SHELL			CONTRACT NO
DATE: 10/31/2013					5465
CHK BY: HPS		TITLE: PARTS			PART MARK [ts.32]
DATE: 10/29/13		CONTRACTOR: STRUCTURA INC.			REV. 0

REV	DATE	REMARKS
0	10/29/13	ISSUED FOR FABRICATION



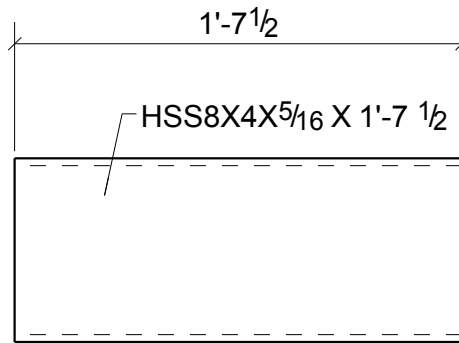
ts38	2	HSS8X4X5/16	9'-1 5/8"	A500
PART MARK	QTY	DESCRIPTION	LENGTH	REMARKS
DWG BY: MWS		JOB: TRAILS - 620 MEDICAL SHELL		CONTRACT NO 5465
DATE: 10/31/2013				
CHK BY: HPS		TITLE: PARTS		PART MARK [ts.38]
DATE: 10/29/13		CONTRACTOR: STRUCTURA INC.		REV. 0

REV	DATE	REMARKS
0	10/29/13	ISSUED FOR FABRICATION



				2	M707
				Qty.	In Assembly
ts39	2	HSS8X4X5/16	18'-11 1/8"	A500	
PART MARK	QTY	DESCRIPTION	LENGTH	REMARKS	
DWG BY: MWS		JOB: TRAILS - 620 MEDICAL SHELL		CONTRACT NO	
DATE: 10/31/2013				5465	
CHK BY: HPS		TITLE: PARTS		PART MARK [ts.39]	
DATE: 10/29/13		CONTRACTOR: STRUCTURA INC.		REV. 0	

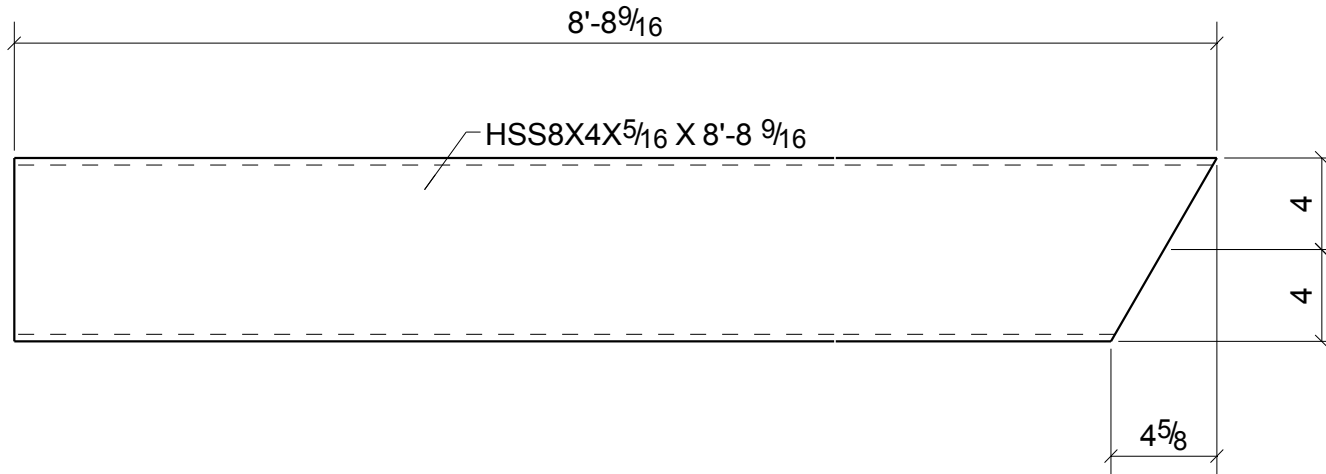
REV	DATE	REMARKS
0	10/29/13	ISSUED FOR FABRICATION



1	C117
1	C118
Qty.	In Assembly

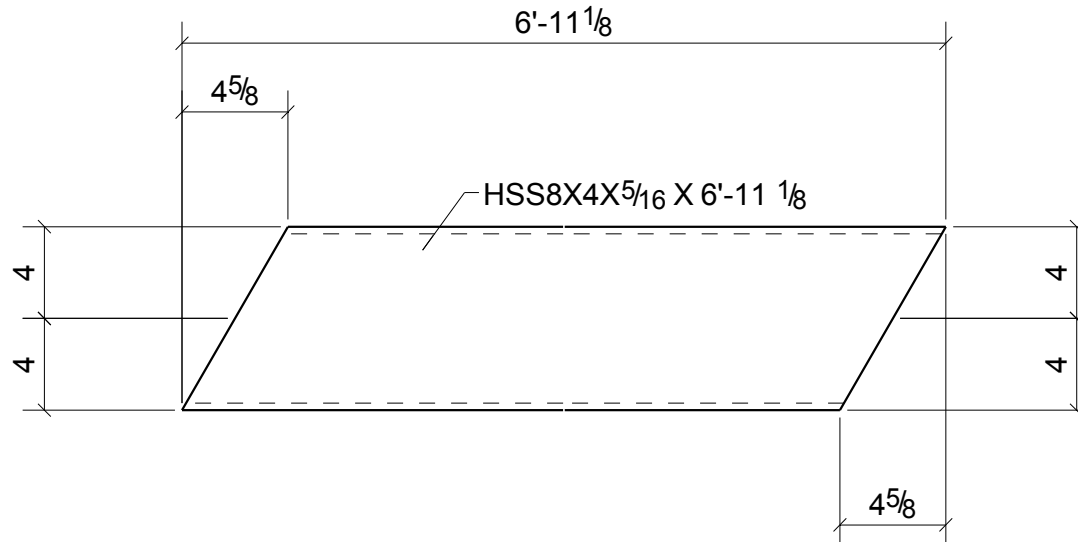
ts40	2	HSS8X4X5/16	1'-7 1/2"	A500
PART MARK	QTY	DESCRIPTION	LENGTH	REMARKS
DWG BY: MWS		JOB: TRAILS - 620 MEDICAL SHELL		CONTRACT NO 5465
DATE: 10/31/2013				
CHK BY: HPS		TITLE: PARTS		PART MARK [ts.40]
DATE: 10/29/13		CONTRACTOR: STRUCTURA INC.		REV. 0

REV	DATE	REMARKS
0	10/29/13	ISSUED FOR FABRICATION



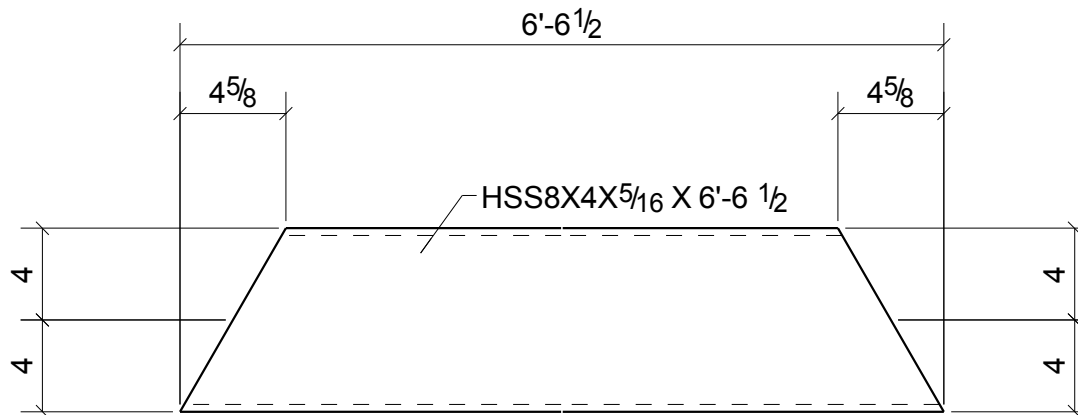
				1	M714
				Qty.	In Assembly
ts41	1	HSS8X4X5/16	8'-8 9/16"	A500	
PART MARK	QTY	DESCRIPTION	LENGTH	REMARKS	
DWG BY: MWS		JOB: TRAILS - 620 MEDICAL SHELL		CONTRACT NO 5465	
DATE: 10/31/2013					
CHK BY: HPS		TITLE: PARTS		PART MARK [ts.41]	
DATE: 10/29/13		CONTRACTOR: STRUCTURA INC.		REV. 0	

REV	DATE	REMARKS
0	10/29/13	ISSUED FOR FABRICATION



				2	M715
				Qty.	In Assembly
ts42	2	HSS8X4X5/16	6'-11 1/8"	A500	
PART MARK	QTY	DESCRIPTION	LENGTH	REMARKS	
DWG BY: MWS		JOB: TRAILS - 620 MEDICAL SHELL		CONTRACT NO 5465	
DATE: 10/31/2013					
CHK BY: HPS		TITLE: PARTS		PART MARK [ts.42]	
DATE: 10/29/13		CONTRACTOR: STRUCTURA INC.		REV. 0	

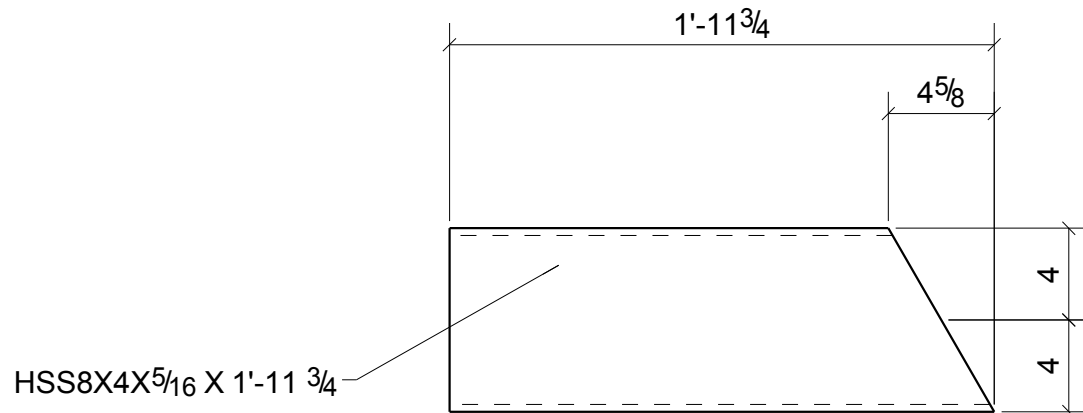
REV	DATE	REMARKS
0	10/29/13	ISSUED FOR FABRICATION



1	M714
1	M716
Qty.	In Assembly

ts45	2	HSS8X4X5/16	6'-6 1/2"	A500
PART MARK	QTY	DESCRIPTION	LENGTH	REMARKS
DWG BY: MWS		JOB: TRAILS - 620 MEDICAL SHELL		CONTRACT NO 5465
DATE: 10/31/2013				
CHK BY: HPS		TITLE: PARTS		PART MARK [ts.45]
DATE: 10/29/13		CONTRACTOR: STRUCTURA INC.		REV. 0

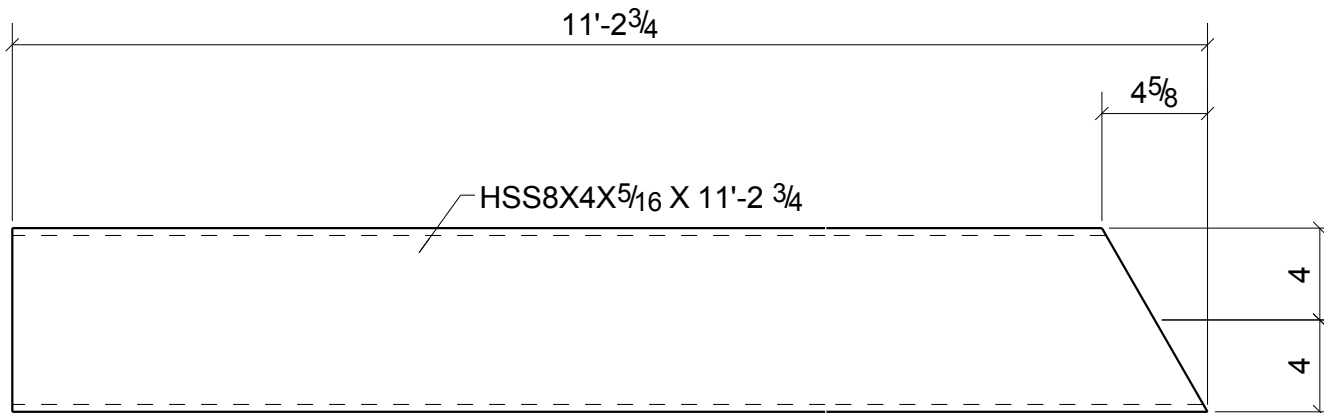
REV	DATE	REMARKS
0	10/29/13	ISSUED FOR FABRICATION



1	M712
1	M713
Qty.	In Assembly

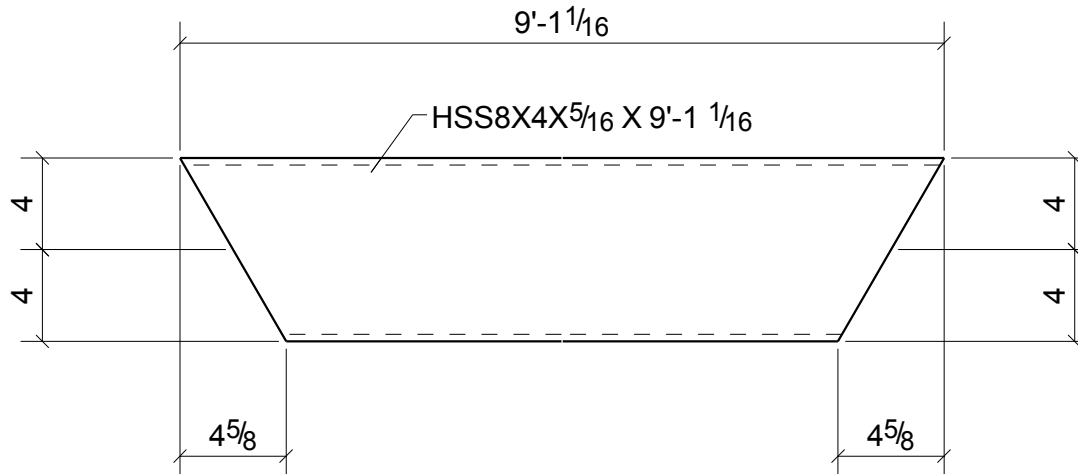
ts46	2	HSS8X4X5/16	1'-11 3/4"	A500
PART MARK	QTY	DESCRIPTION	LENGTH	REMARKS
DWG BY: MWS		JOB: TRAILS - 620 MEDICAL SHELL		CONTRACT NO 5465
DATE: 10/31/2013				
CHK BY: HPS		TITLE: PARTS		PART MARK [ts.46]
DATE: 10/29/13		CONTRACTOR: STRUCTURA INC.		REV. 0

REV	DATE	REMARKS
0	10/29/13	ISSUED FOR FABRICATION



PART MARK		QTY	DESCRIPTION	LENGTH	REMARKS
ts47		1	HSS8X4X5/16	11'-2 3/4"	A500
DWG BY: MWS		JOB: TRAILS - 620 MEDICAL SHELL			CONTRACT NO
DATE: 10/31/2013					5465
CHK BY: HPS		TITLE: PARTS			PART MARK [ts.47]
DATE: 10/29/13		CONTRACTOR: STRUCTURA INC.			REV. 0

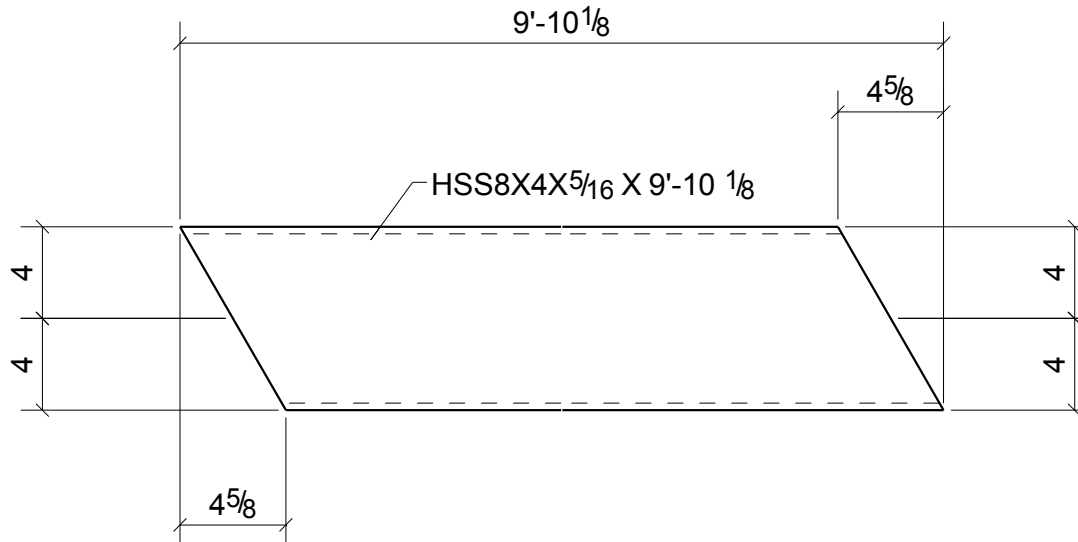
REV	DATE	REMARKS
0	10/29/13	ISSUED FOR FABRICATION



1	M703
1	M704
1	M710
1	M711
Qty.	In Assembly

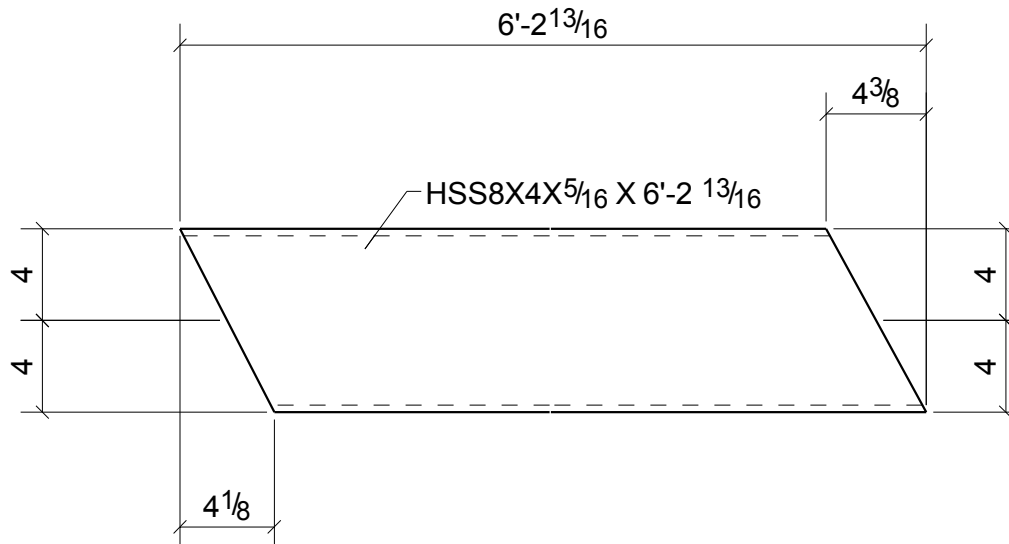
ts48	4	HSS8X4X5/16	9'-1 1/16"	A500
PART MARK	QTY	DESCRIPTION	LENGTH	REMARKS
DWG BY: MWS		JOB: TRAILS - 620 MEDICAL SHELL		CONTRACT NO 5465
DATE: 10/31/2013				
CHK BY: HPS		TITLE: PARTS		PART MARK [ts.48]
DATE: 10/29/13		CONTRACTOR: STRUCTURA INC.		REV. 0

REV	DATE	REMARKS
0	10/29/13	ISSUED FOR FABRICATION



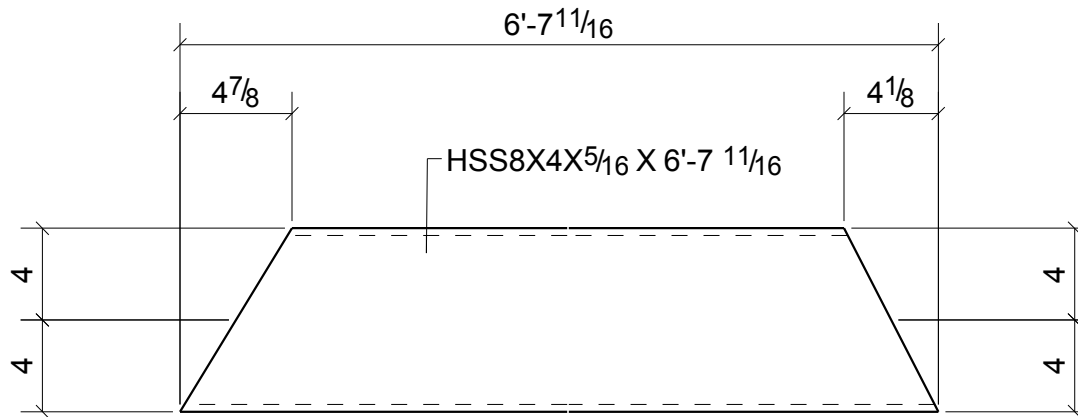
				4	M707
				Qty.	In Assembly
ts49	4	HSS8X4X5/16	9'-10 1/8"	A500	
PART MARK	QTY	DESCRIPTION	LENGTH	REMARKS	
DWG BY: MWS		JOB: TRAILS - 620 MEDICAL SHELL		CONTRACT NO	
DATE: 10/31/2013				5465	
CHK BY: HPS		TITLE: PARTS		PART MARK	REV.
DATE: 10/29/13		CONTRACTOR: STRUCTURA INC.		[ts.49]	0

REV	DATE	REMARKS
0	10/29/13	ISSUED FOR FABRICATION



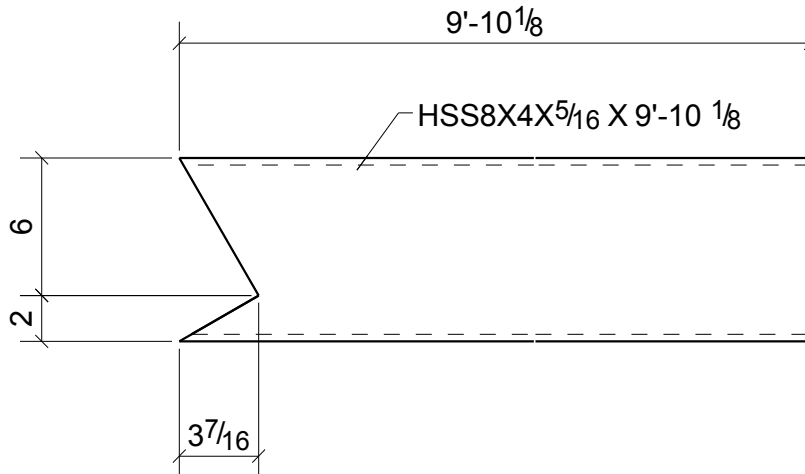
				1	M715
				Qty.	In Assembly
ts51	1	HSS8X4X5/16	6'-2 13/16"	A500	
PART MARK	QTY	DESCRIPTION	LENGTH	REMARKS	
DWG BY: MWS		JOB: TRAILS - 620 MEDICAL SHELL		CONTRACT NO	5465
DATE: 10/31/2013					
CHK BY: HPS		TITLE: PARTS		PART MARK [ts.51]	REV. 0
DATE: 10/29/13		CONTRACTOR: STRUCTURA INC.			

REV	DATE	REMARKS
0	10/29/13	ISSUED FOR FABRICATION



ts52	1	HSS8X4X5/16	6'-7 11/16"	A500
PART MARK	QTY	DESCRIPTION	LENGTH	REMARKS
DWG BY: MWS		JOB: TRAILS - 620 MEDICAL SHELL		CONTRACT NO 5465
DATE: 10/31/2013				
CHK BY: HPS		TITLE: PARTS		PART MARK [ts.52]
DATE: 10/29/13		CONTRACTOR: STRUCTURA INC.		REV. 0

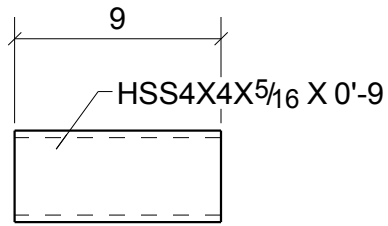
REV	DATE	REMARKS
0	10/29/13	ISSUED FOR FABRICATION



PART MARK		QTY	DESCRIPTION	LENGTH	REMARKS
ts54		1	HSS8X4X5/16	9'-10 1/8"	A500
DWG BY: MWS		JOB: TRAILS - 620 MEDICAL SHELL			CONTRACT NO
DATE: 10/31/2013					5465
CHK BY: HPS		TITLE: PARTS			PART MARK [ts.54]
DATE: 10/29/13		CONTRACTOR: STRUCTURA INC.			REV. 0

1	M702
Qty.	In Assembly

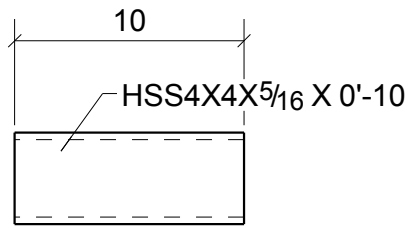
REV	DATE	REMARKS
0	10/29/13	ISSUED FOR FABRICATION



2	B266
2	B281
2	B357
2	B358
2	B370
2	B374
2	B375
2	B383
Qty.	In Assembly

ts64	16	HSS4X4X5/16	0'-9"	A500
PART MARK	QTY	DESCRIPTION	LENGTH	REMARKS
DWG BY: MWS		JOB: TRAILS - 620 MEDICAL SHELL		CONTRACT NO 5465
DATE: 10/31/2013				
CHK BY: HPS		TITLE: PARTS		PART MARK [ts.64]
DATE: 10/29/13		CONTRACTOR: STRUCTURA INC.		REV. 0

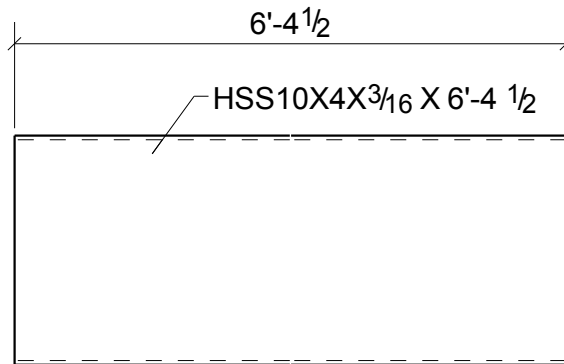
REV	DATE	REMARKS
0	10/29/13	ISSUED FOR FABRICATION



3	B212
3	B240
3	B288
Qty.	In Assembly

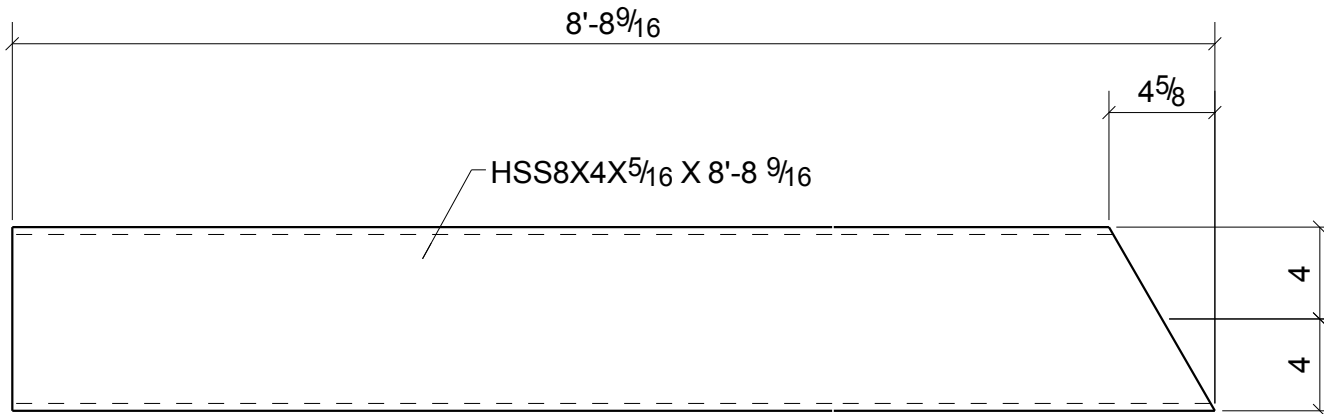
ts65	9	HSS4X4X5/16	0'-10"	A500
PART MARK	QTY	DESCRIPTION	LENGTH	REMARKS
DWG BY: MWS		JOB: TRAILS - 620 MEDICAL SHELL		CONTRACT NO 5465
DATE: 10/31/2013				
CHK BY: HPS		TITLE: PARTS		PART MARK [ts.65]
DATE: 10/29/13		CONTRACTOR: STRUCTURA INC.		REV. 0

REV	DATE	REMARKS
0	10/29/13	ISSUED FOR FABRICATION



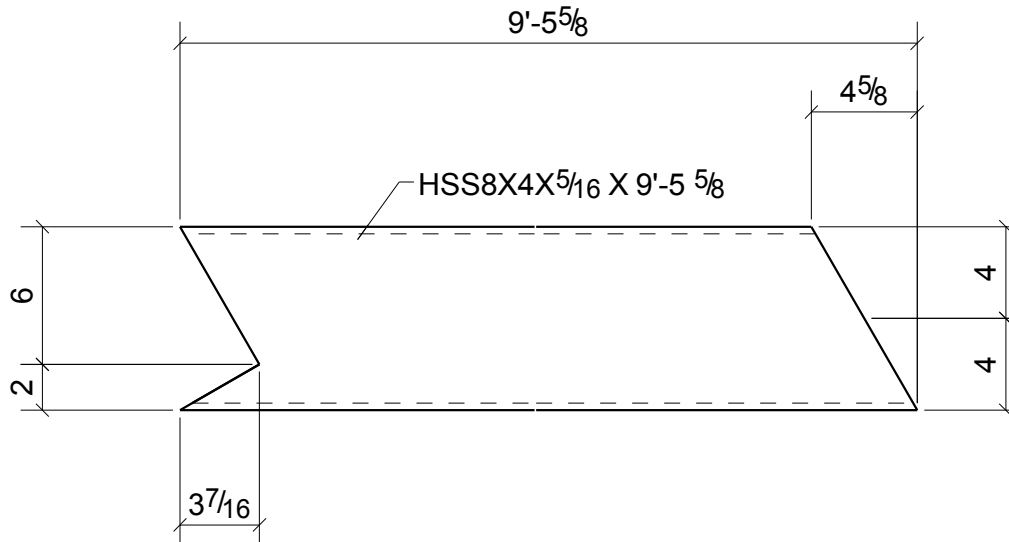
ts84		3	HSS10X4X3/16	6'-4 1/2"	A500
PART MARK		QTY	DESCRIPTION	LENGTH	REMARKS
DWG BY: MWS		JOB: TRAILS - 620 MEDICAL SHELL			CONTRACT NO
DATE: 10/31/2013					5465
CHK BY: HPS		TITLE: PARTS			PART MARK [ts.84]
DATE: 10/29/13		CONTRACTOR: STRUCTURA INC.			REV. 0

REV	DATE	REMARKS
0	10/29/13	ISSUED FOR FABRICATION



PART MARK		QTY	DESCRIPTION	LENGTH	REMARKS
ts99	1	1	HSS8X4X5/16	8'-8 9/16"	A500
DWG BY:	MWS	JOB: TRAILS - 620 MEDICAL SHELL			CONTRACT NO
DATE:	10/31/2013				5465
CHK BY:	HPS	TITLE: PARTS			PART MARK [ts.99]
DATE:	10/29/13	CONTRACTOR: STRUCTURA INC.			REV. 0

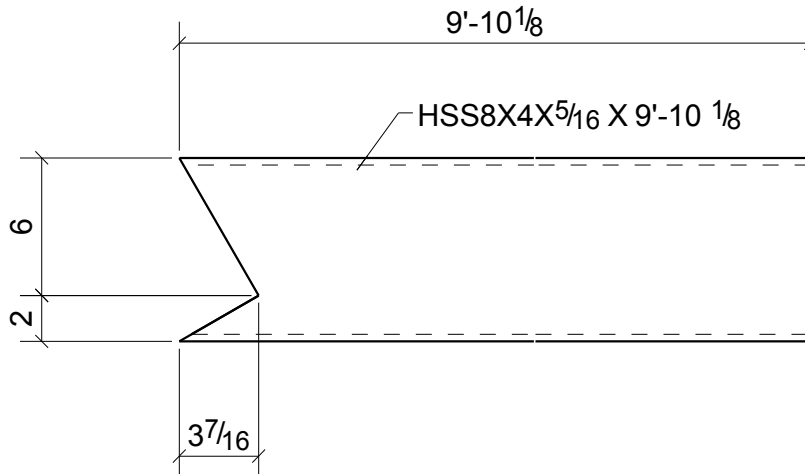
REV	DATE	REMARKS
0	10/29/13	ISSUED FOR FABRICATION



1	M705
1	M706
1	M708
1	M709
Qty.	In Assembly

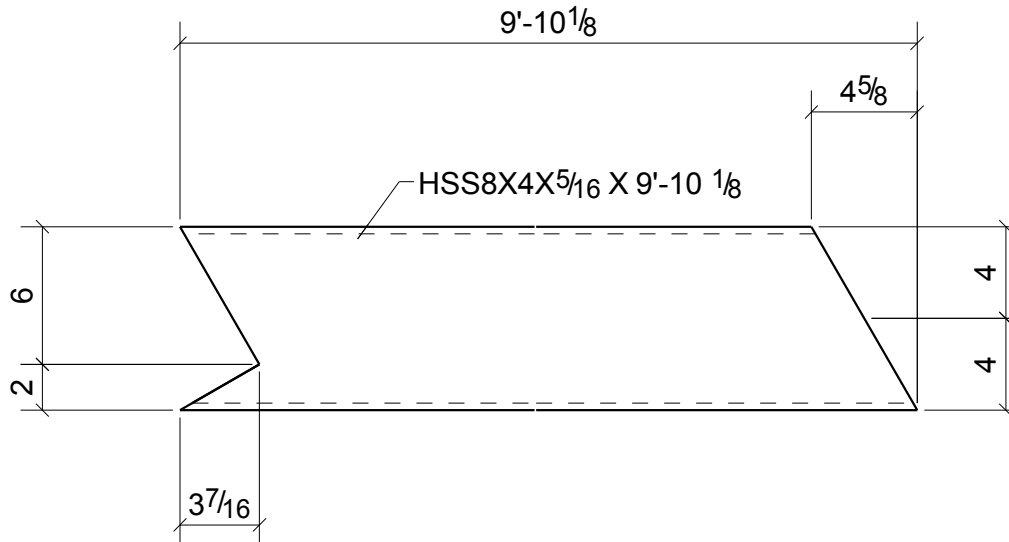
ts101	4	HSS8X4X5/16	9'-5 5/8"	A500
PART MARK	QTY	DESCRIPTION	LENGTH	REMARKS
DWG BY: MWS		JOB: TRAILS - 620 MEDICAL SHELL		CONTRACT NO 5465
DATE: 10/31/2013				
CHK BY: HPS		TITLE: PARTS		PART MARK [ts.101]
DATE: 10/29/13		CONTRACTOR: STRUCTURA INC.		REV. 0

REV	DATE	REMARKS
0	10/29/13	ISSUED FOR FABRICATION



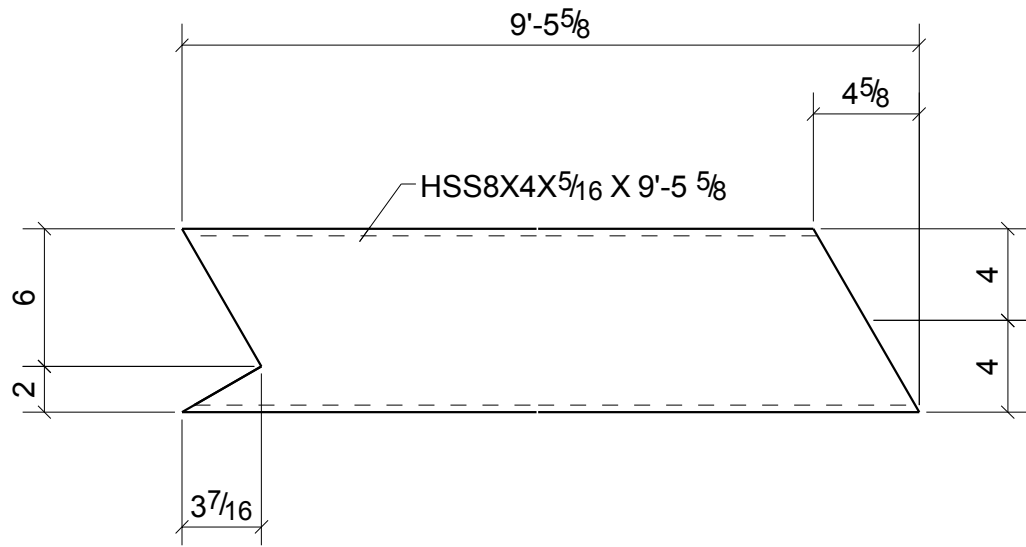
				1	M702
				Qty.	In Assembly
ts102	1	HSS8X4X5/16	9'-10 1/8"	A500	
PART MARK	QTY	DESCRIPTION	LENGTH	REMARKS	
DWG BY: MWS		JOB: TRAILS - 620 MEDICAL SHELL		CONTRACT NO	5465
DATE: 10/31/2013					
CHK BY: HPS		TITLE: PARTS		PART MARK	[ts.102]
DATE: 10/29/13		CONTRACTOR: STRUCTURA INC.		REV.	0

REV	DATE	REMARKS
0	10/29/13	ISSUED FOR FABRICATION



				1	M701
				Qty.	In Assembly
ts103	1	HSS8X4X5/16	9'-10 1/8"	A500	
PART MARK	QTY	DESCRIPTION	LENGTH	REMARKS	
DWG BY: MWS		JOB: TRAILS - 620 MEDICAL SHELL		CONTRACT NO 5465	
DATE: 10/31/2013					
CHK BY: HPS		TITLE: PARTS		PART MARK [ts.103]	
DATE: 10/29/13		CONTRACTOR: STRUCTURA INC.		REV. 0	

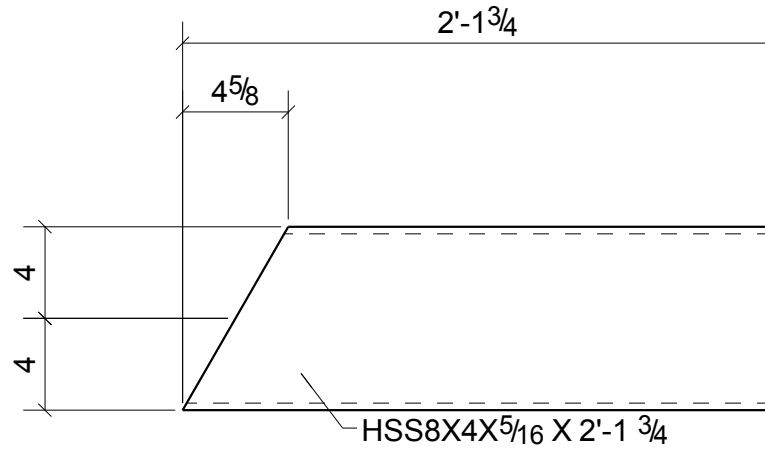
REV	DATE	REMARKS
0	10/29/13	ISSUED FOR FABRICATION



1	M701
1	M702
Qty.	In Assembly

ts104	2	HSS8X4X5/16	9'-5 5/8"	A500
PART MARK	QTY	DESCRIPTION	LENGTH	REMARKS
DWG BY: MWS		JOB: TRAILS - 620 MEDICAL SHELL		CONTRACT NO 5465
DATE: 10/31/2013				
CHK BY: HPS		TITLE: PARTS		PART MARK [ts.104]
DATE: 10/29/13		CONTRACTOR: STRUCTURA INC.		REV. 0

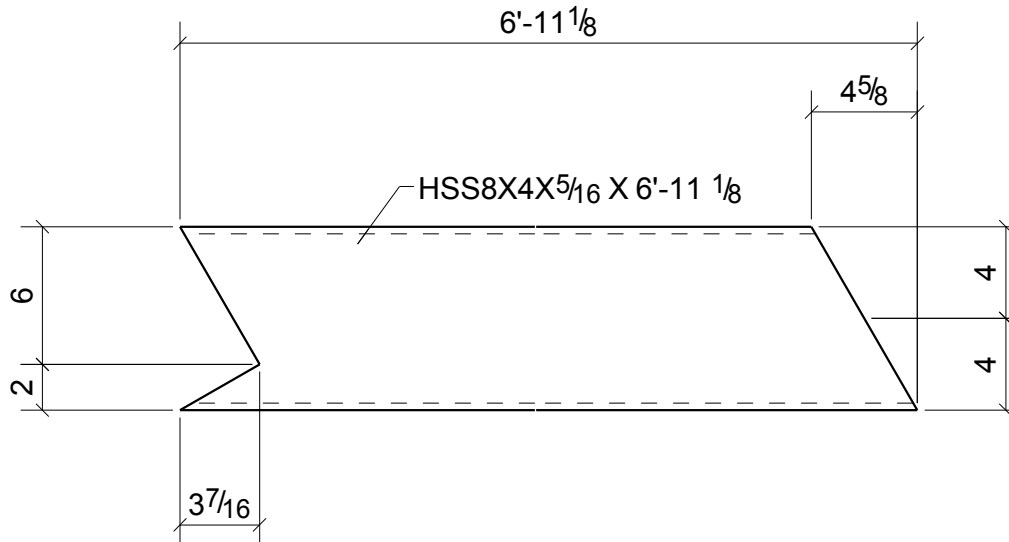
REV	DATE	REMARKS
0	10/29/13	ISSUED FOR FABRICATION



1	M708
1	M709
Qty.	In Assembly

ts105	2	HSS8X4X5/16	2'-1 3/4"	A500
PART MARK	QTY	DESCRIPTION	LENGTH	REMARKS
DWG BY: MWS		JOB: TRAILS - 620 MEDICAL SHELL		CONTRACT NO 5465
DATE: 10/31/2013				
CHK BY: HPS		TITLE: PARTS		PART MARK [ts.105]
DATE: 10/29/13		CONTRACTOR: STRUCTURA INC.		REV. 0

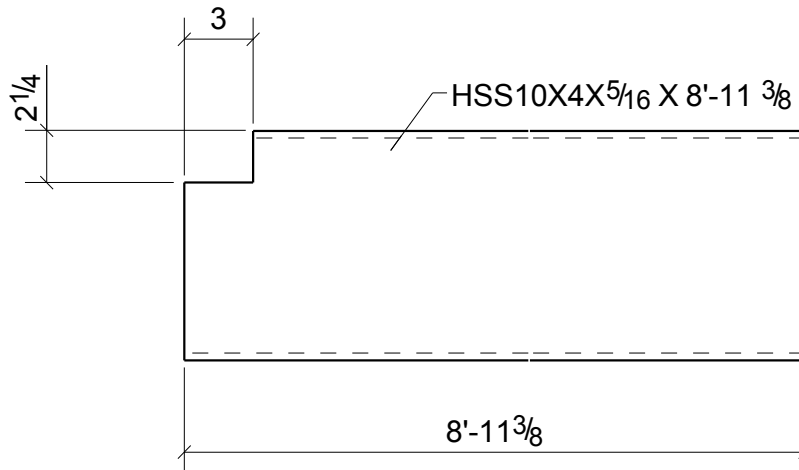
REV	DATE	REMARKS
0	10/29/13	ISSUED FOR FABRICATION



1	M712
1	M713
Qty.	In Assembly

ts107	2	HSS8X4X5/16	6'-11 1/8"	A500
PART MARK	QTY	DESCRIPTION	LENGTH	REMARKS
DWG BY: MWS		JOB: TRAILS - 620 MEDICAL SHELL		CONTRACT NO 5465
DATE: 10/31/2013				
CHK BY: HPS		TITLE: PARTS		PART MARK [ts.107]
DATE: 10/29/13		CONTRACTOR: STRUCTURA INC.		REV. 0

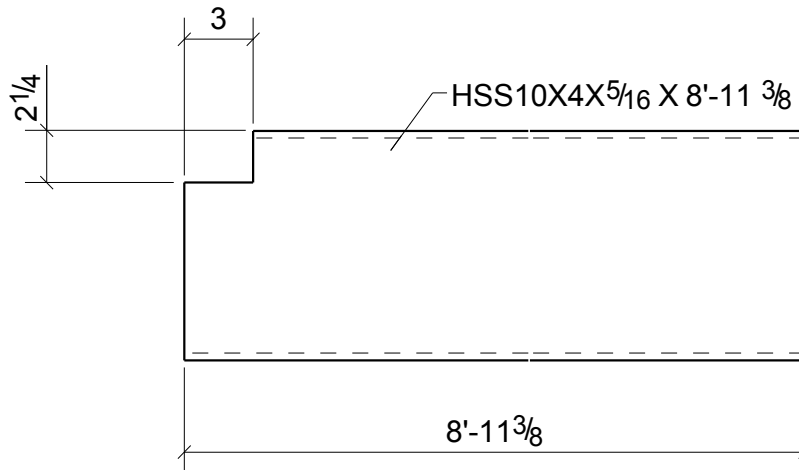
REV	DATE	REMARKS
0	10/29/13	ISSUED FOR FABRICATION



1	M712
1	M713
Qty.	In Assembly

ts108	2	HSS10X4X5/16	8'-11 3/8"	A500
PART MARK	QTY	DESCRIPTION	LENGTH	REMARKS
DWG BY: MWS		JOB: TRAILS - 620 MEDICAL SHELL		CONTRACT NO 5465
DATE: 10/31/2013				
CHK BY: HPS		TITLE: PARTS		PART MARK [ts.108]
DATE: 10/29/13		CONTRACTOR: STRUCTURA INC.		REV. 0

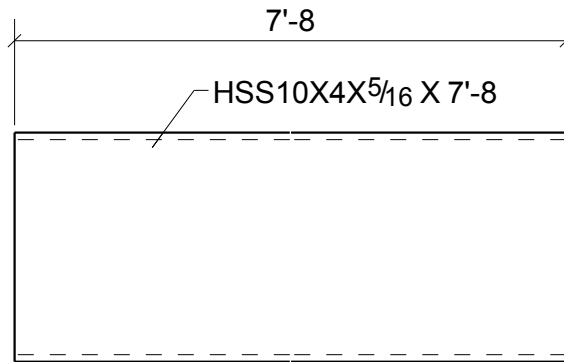
REV	DATE	REMARKS
0	10/29/13	ISSUED FOR FABRICATION



1	M712
1	M713
Qty.	In Assembly

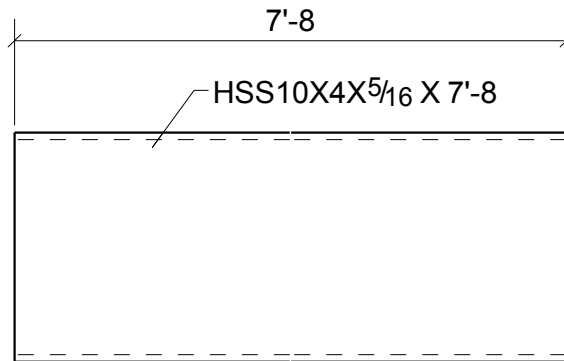
ts109	2	HSS10X4X5/16	8'-11 3/8"	A500
PART MARK	QTY	DESCRIPTION	LENGTH	REMARKS
DWG BY: MWS		JOB: TRAILS - 620 MEDICAL SHELL		CONTRACT NO 5465
DATE: 10/31/2013				
CHK BY: HPS		TITLE: PARTS		PART MARK [ts.109]
DATE: 10/29/13		CONTRACTOR: STRUCTURA INC.		REV. 0

REV	DATE	REMARKS
0	10/29/13	ISSUED FOR FABRICATION



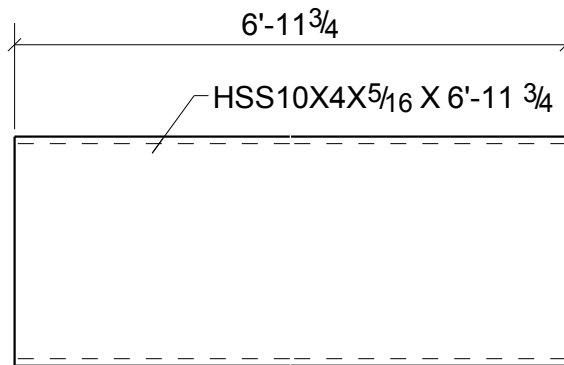
				1	M706
				Qty.	In Assembly
ts110	1	HSS10X4X5/16	7'-8"	A500	
PART MARK	QTY	DESCRIPTION	LENGTH	REMARKS	
DWG BY: MWS		JOB: TRAILS - 620 MEDICAL SHELL		CONTRACT NO 5465	
DATE: 10/31/2013					
CHK BY: HPS		TITLE: PARTS		PART MARK [ts.110]	REV. 0
DATE: 10/29/13		CONTRACTOR: STRUCTURA INC.			

REV	DATE	REMARKS
0	10/29/13	ISSUED FOR FABRICATION



				1	M708
				Qty.	In Assembly
ts111	1	HSS10X4X5/16	7'-8"	A500	
PART MARK	QTY	DESCRIPTION	LENGTH	REMARKS	
DWG BY: MWS		JOB: TRAILS - 620 MEDICAL SHELL		CONTRACT NO 5465	
DATE: 10/31/2013					
CHK BY: HPS		TITLE: PARTS		PART MARK [ts.111]	REV. 0
DATE: 10/29/13		CONTRACTOR: STRUCTURA INC.			

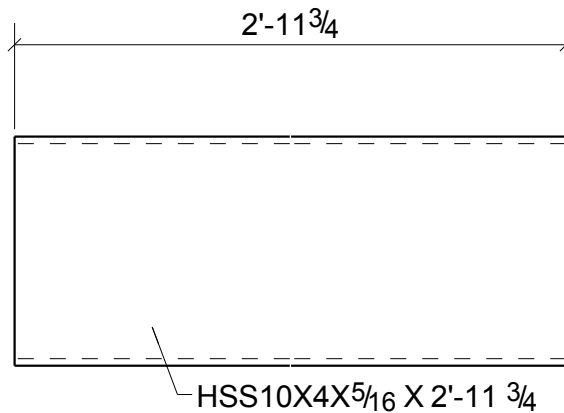
REV	DATE	REMARKS
0	10/29/13	ISSUED FOR FABRICATION



1	M705
1	M709
Qty.	In Assembly

ts112	2	HSS10X4X5/16	6'-11 3/4"	A500
PART MARK	QTY	DESCRIPTION	LENGTH	REMARKS
DWG BY: MWS		JOB: TRAILS - 620 MEDICAL SHELL		CONTRACT NO 5465
DATE: 10/31/2013				
CHK BY: HPS		TITLE: PARTS		PART MARK [ts.112]
DATE: 10/29/13		CONTRACTOR: STRUCTURA INC.		REV. 0

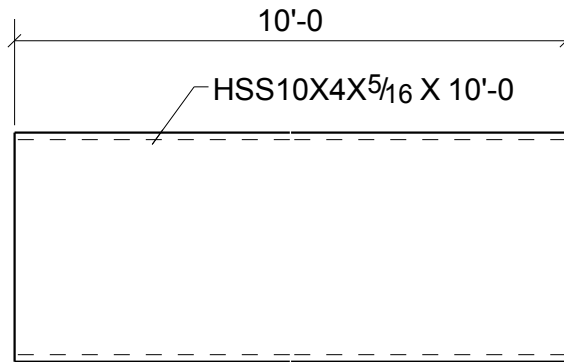
REV	DATE	REMARKS
0	10/29/13	ISSUED FOR FABRICATION



1	M714
1	M716
Qty.	In Assembly

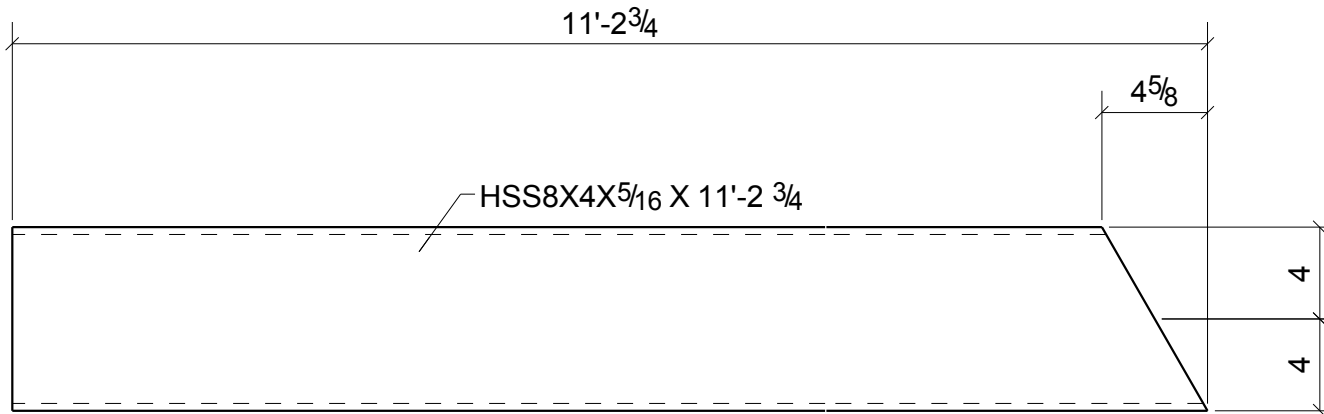
ts113	2	HSS10X4X5/16	2'-11 3/4"	A500
PART MARK	QTY	DESCRIPTION	LENGTH	REMARKS
DWG BY: MWS		JOB: TRAILS - 620 MEDICAL SHELL		CONTRACT NO 5465
DATE: 10/31/2013				
CHK BY: HPS		TITLE: PARTS		PART MARK [ts.113]
DATE: 10/29/13		CONTRACTOR: STRUCTURA INC.		REV. 0

REV	DATE	REMARKS
0	10/29/13	ISSUED FOR FABRICATION



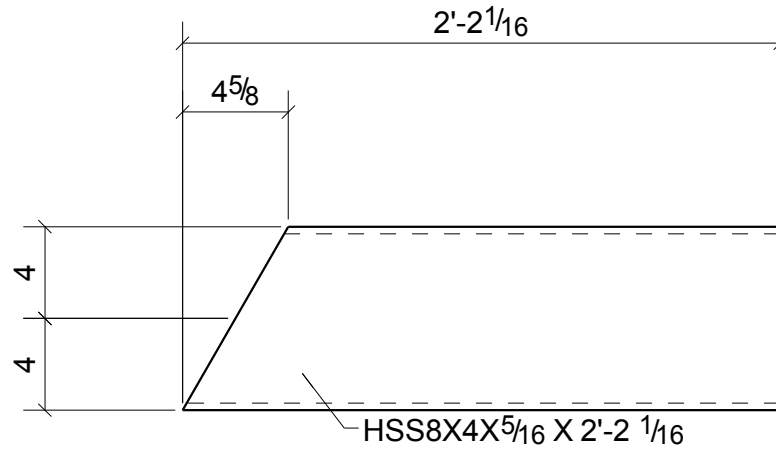
				1	M702
				Qty.	In Assembly
ts114	1	HSS10X4X5/16	10'-0"	A500	
PART MARK	QTY	DESCRIPTION	LENGTH	REMARKS	
DWG BY: MWS		JOB: TRAILS - 620 MEDICAL SHELL		CONTRACT NO 5465	
DATE: 10/31/2013					
CHK BY: HPS		TITLE: PARTS		PART MARK [ts.114]	REV. 0
DATE: 10/29/13		CONTRACTOR: STRUCTURA INC.			

REV	DATE	REMARKS
0	10/29/13	ISSUED FOR FABRICATION



PART MARK		QTY	DESCRIPTION	LENGTH	REMARKS
ts120		1	HSS8X4X5/16	11'-2 3/4"	A500
DWG BY: MWS		JOB: TRAILS - 620 MEDICAL SHELL			CONTRACT NO
DATE: 10/31/2013					5465
CHK BY: HPS		TITLE: PARTS			PART MARK [ts.120]
DATE: 10/29/13		CONTRACTOR: STRUCTURA INC.			REV. 0

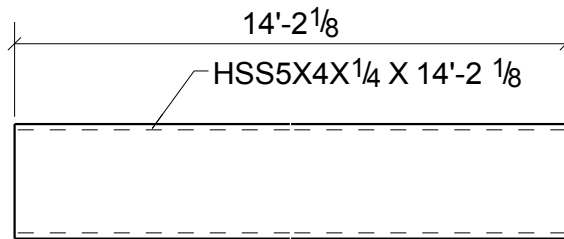
REV	DATE	REMARKS
0	10/29/13	ISSUED FOR FABRICATION



1	M705
1	M706
Qty.	In Assembly

ts122	2	HSS8X4X5/16	2'-2 1/16"	A500
PART MARK	QTY	DESCRIPTION	LENGTH	REMARKS
DWG BY: MWS		JOB: TRAILS - 620 MEDICAL SHELL		CONTRACT NO 5465
DATE: 10/31/2013				
CHK BY: HPS		TITLE: PARTS		PART MARK [ts.122]
DATE: 10/29/13		CONTRACTOR: STRUCTURA INC.		REV. 0

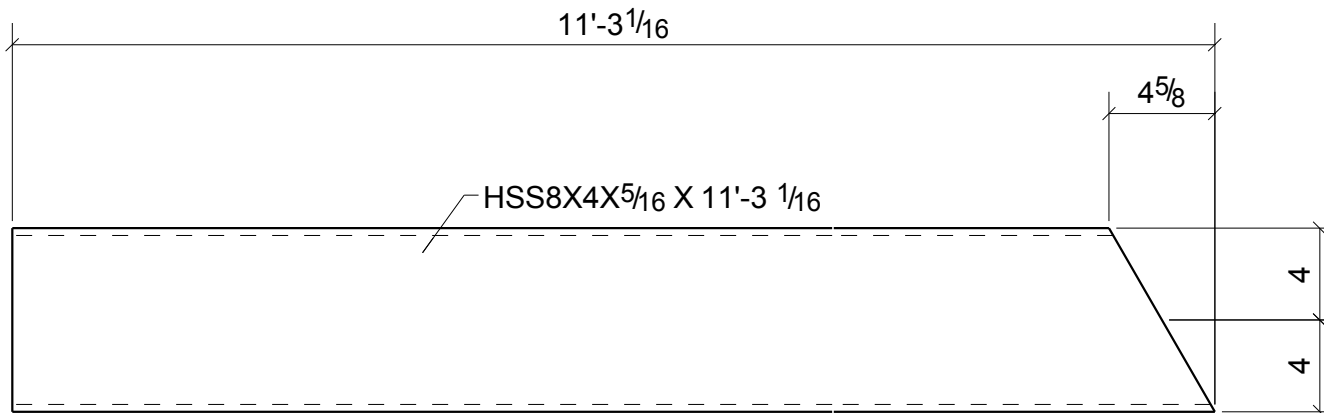
REV	DATE	REMARKS
0	10/29/13	ISSUED FOR FABRICATION



1	M619
1	M620
Qty.	In Assembly

ts131	2	HSS5X4X1/4	14'-2 1/8"	A500
PART MARK	QTY	DESCRIPTION	LENGTH	REMARKS
DWG BY: MWS		JOB: TRAILS - 620 MEDICAL SHELL		CONTRACT NO 5465
DATE: 10/31/2013				
CHK BY: HPS		TITLE: PARTS		PART MARK [ts.131]
DATE: 10/29/13		CONTRACTOR: STRUCTURA INC.		REV. 0

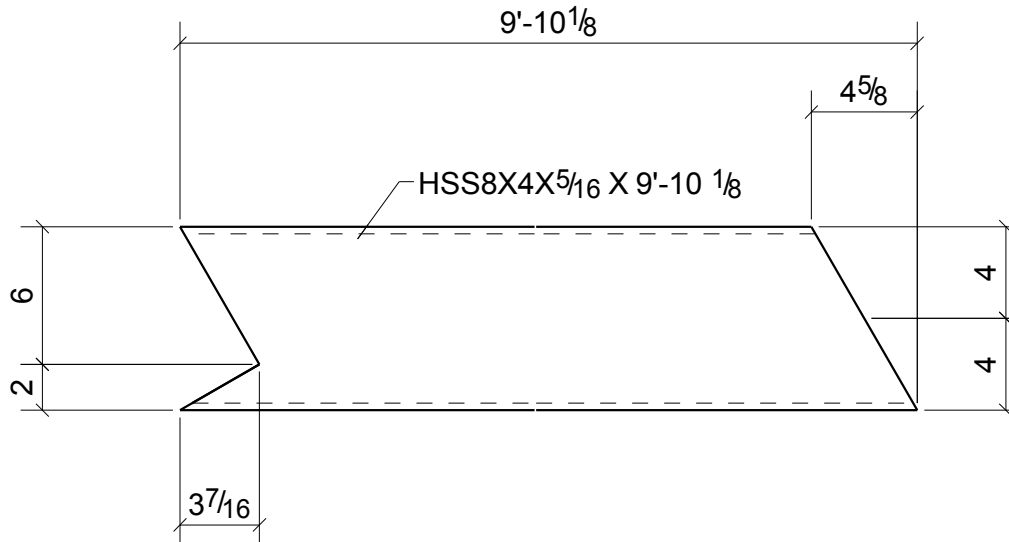
REV	DATE	REMARKS
0	10/29/13	ISSUED FOR FABRICATION



1	M703
1	M704
Qty.	In Assembly

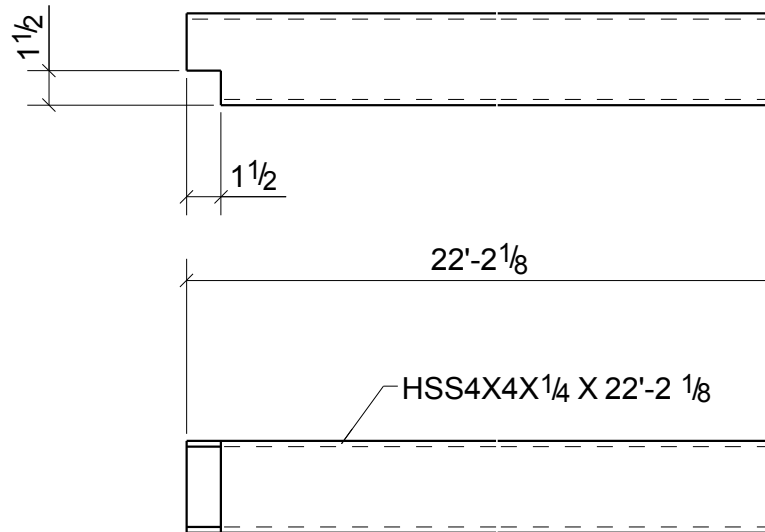
ts132	2	HSS8X4X5/16	11'-3 1/16"	A500
PART MARK	QTY	DESCRIPTION	LENGTH	REMARKS
DWG BY: MWS		JOB: TRAILS - 620 MEDICAL SHELL		CONTRACT NO 5465
DATE: 10/31/2013				
CHK BY: HPS		TITLE: PARTS		PART MARK [ts.132]
DATE: 10/29/13		CONTRACTOR: STRUCTURA INC.		REV. 0

REV	DATE	REMARKS
0	10/29/13	ISSUED FOR FABRICATION



PART MARK		QTY	DESCRIPTION	LENGTH	REMARKS
ts133		1	HSS8X4X5/16	9'-10 1/8"	A500
DWG BY: MWS		JOB: TRAILS - 620 MEDICAL SHELL			CONTRACT NO
DATE: 10/31/2013					5465
CHK BY: HPS		TITLE: PARTS			PART MARK [ts.133]
DATE: 10/29/13		CONTRACTOR: STRUCTURA INC.			REV. 0

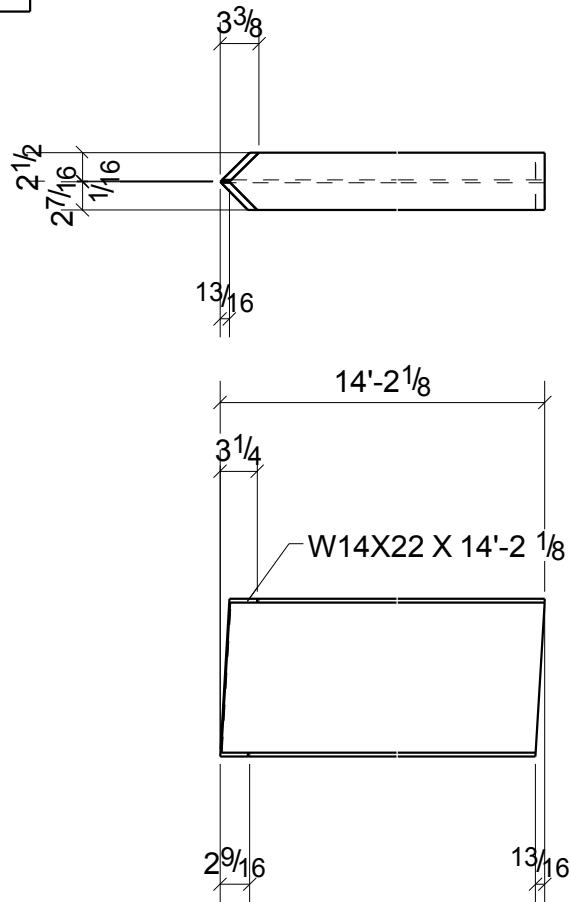
REV	DATE	REMARKS
0	10/29/13	ISSUED FOR FABRICATION



1	M608
1	M609
Qty.	In Assembly

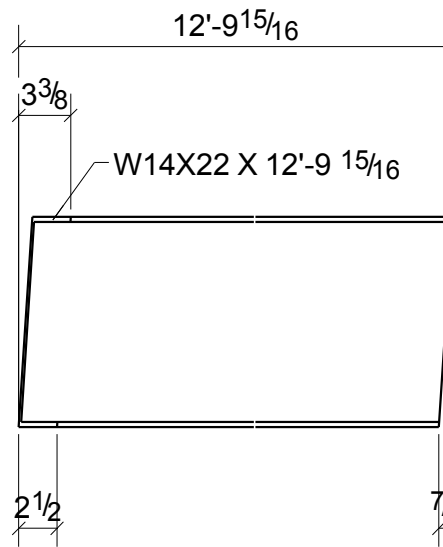
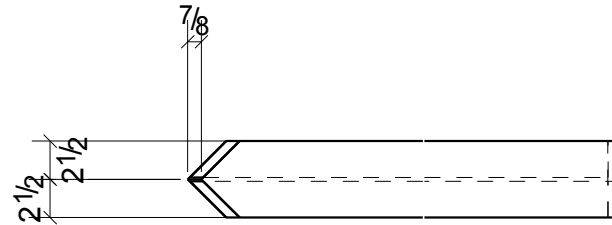
ts135	2	HSS4X4X1/4	22'-2 1/8"	A500
PART MARK	QTY	DESCRIPTION	LENGTH	REMARKS
DWG BY: MWS		JOB: TRAILS - 620 MEDICAL SHELL		CONTRACT NO 5465
DATE: 10/31/2013				
CHK BY: HPS		TITLE: PARTS		PART MARK [ts.135]
DATE: 10/29/13		CONTRACTOR: STRUCTURA INC.		REV. 0

REV	DATE	REMARKS
0	10/29/13	ISSUED FOR FABRICATION



				1	B278
				Qty.	In Assembly
w3	1	W14X22	14'-2 1/8"	A992	
PART MARK	QTY	DESCRIPTION	LENGTH	REMARKS	
DWG BY: MWS		JOB: TRAILS - 620 MEDICAL SHELL		CONTRACT NO	5465
DATE: 10/31/2013					
CHK BY: HPS		TITLE: PARTS		PART MARK [w.3]	REV. 0
DATE: 10/29/13		CONTRACTOR: STRUCTURA INC.			

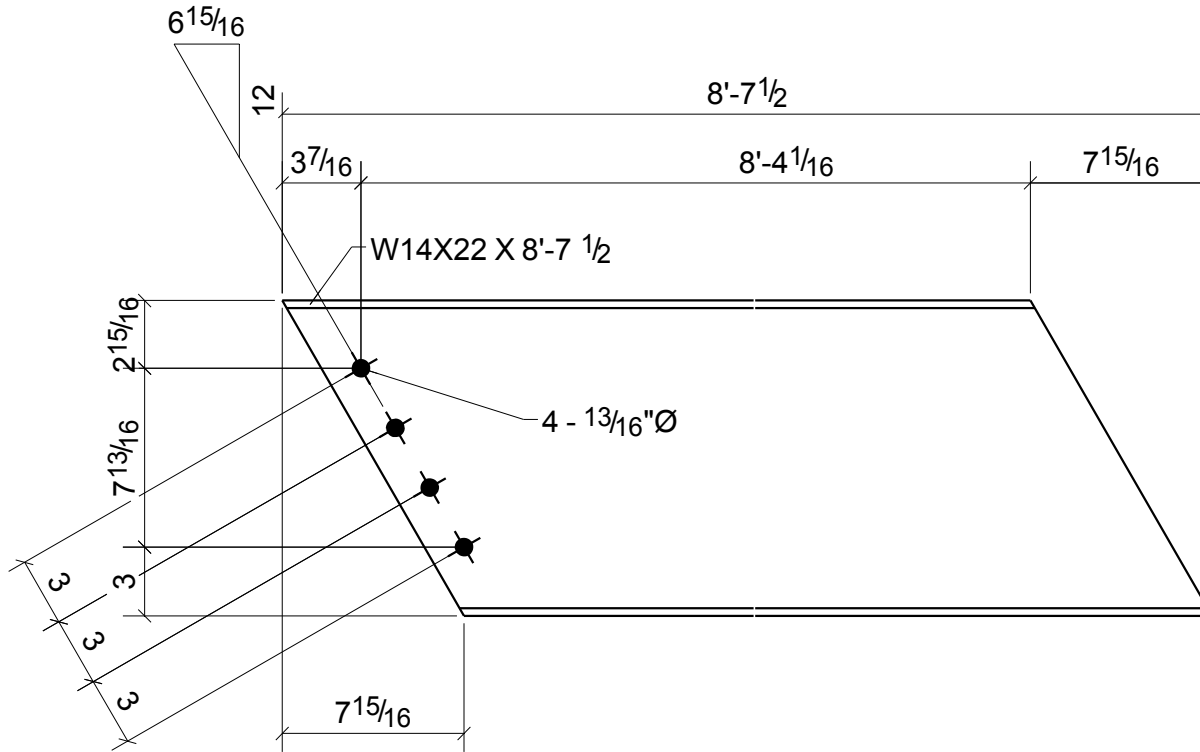
REV	DATE	REMARKS
0	10/29/13	ISSUED FOR FABRICATION



w4		1	W14X22	12'-9 15/16	A992
PART MARK	QTY	DESCRIPTION	LENGTH	REMARKS	
DWG BY: MWS		JOB: TRAILS - 620 MEDICAL SHELL		CONTRACT NO	5465
DATE: 10/31/2013				PART MARK [w.4]	REV. 0
CHK BY: HPS		TITLE: PARTS			
DATE: 10/29/13		CONTRACTOR: STRUCTURA INC.			

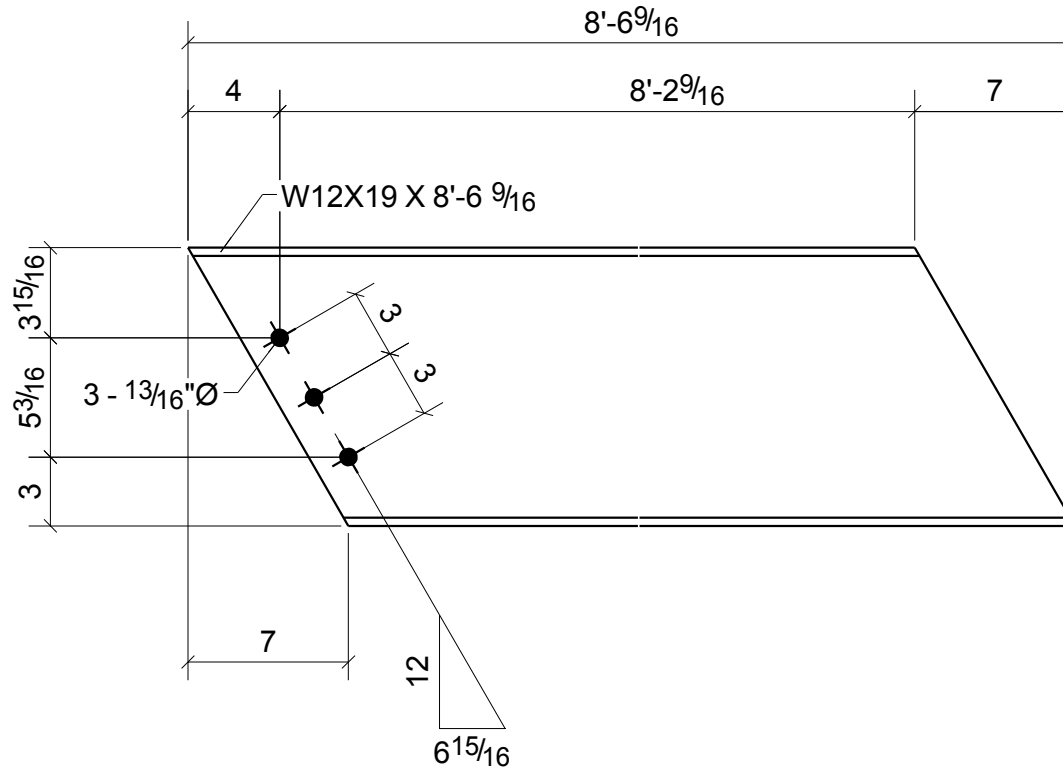


REV	DATE	REMARKS
0	10/29/13	ISSUED FOR FABRICATION



w7		1	W14X22	8'-7 1/2"	1	B256
PART MARK		QTY	DESCRIPTION	LENGTH	Qty.	In Assembly
A992						
DWG BY: MWS		JOB: TRAILS - 620 MEDICAL SHELL			CONTRACT NO	
DATE: 10/31/2013					5465	
CHK BY: HPS		TITLE: PARTS			PART MARK [w.7]	
DATE: 10/29/13		CONTRACTOR: STRUCTURA INC.			REV. 0	

REV	DATE	REMARKS
0	10/29/13	ISSUED FOR FABRICATION



				1	B259
				Qty.	In Assembly
w19	1	W12X19	8'-6 9/16"	A992	
PART MARK	QTY	DESCRIPTION	LENGTH	REMARKS	
DWG BY: MWS		JOB: TRAILS - 620 MEDICAL SHELL		CONTRACT NO	
DATE: 10/31/2013				5465	
CHK BY: HPS		TITLE: PARTS		PART MARK	REV.
DATE: 10/29/13		CONTRACTOR: STRUCTURA INC.		[w.19]	0